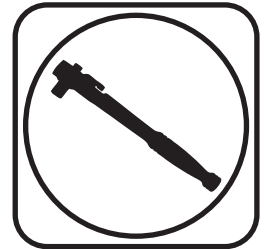




**Part # 11024810 - 55-57 Chevy WAGON Composite Leaf Springs Kit with HQ Series Shock Kit**



### Recommended Tools



## 55-57 Chevy WAGON Composite Leaf Springs & Shock Kit

# Installation Instructions

### Table of contents

Page 2..... Included components and Hardware List

Page 3..... Leaf Spring Installation

Page 4..... Finalizing Installation

**IT IS VERY IMPORTANT THAT NOTHING COMES IN CONTACT WITH THE COMPOSITE LEAF SPRINGS.**





### Major Components .....In the box

Part #	Description	QTY
90002908	Leaf Spring Blade Assembly w/70012456, 70012457, 90002547, & 90000519 installed	2
70012458	Leaf Spring Eyelet (Blade Assembly)	4
70012461	Delrin Rear Shackle Frame Bushing - 1/4" Flange	4
90002547	Inner Bushing Sleeve - 2.50" Front Leaf Spring, 1955 Rear Frame	2
90002569	Inner Bushing Sleeve - 3.50" 1956-1957 Rear Frame	2
90002555	Shackle Plate	4

#### Hardware Bag - Leaf Spring Kit

99501035	1/2"-13 x 5" Hex Bolt GR8 - Use with 3 1/2" Sleeve	2
99501034	1/2"-13 x 4 1/2" Hex Bolt GR8 - Use with 3" Sleeve	2
99501037	1/2"-13 x 4" Hex Bolt GR8 - Use with 2 1/2" Sleeve	4
99502009	1/2"-13 Nylok Nut GR8	6
99432009	7/16"-20 High Nut	8
99433005	7/16" Flat Washer GR8	8

### Getting Started.....

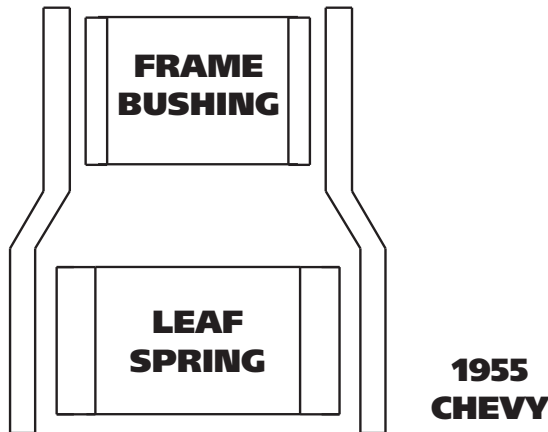
**IT IS VERY IMPORTANT THAT NOTHING COMES IN CONTACT WITH THE LEAF SPRING.**

1. Jack the car up and support it by the frame rails. You will need to raise and lower the rear differential with a jack to ease installation. With the car supported by the frame, put the jack underneath the rear end housing and raise the jack up just enough to support the differential. Disconnect the bottom of the shock and remove the rear leaf springs. Retain the OEM hardware.
2. The Frame bushing is different depending on the year of the frame. 1955 uses a 2 1/2" Inner Sleeve, 1956 & 1957 utilizes a 3 1/2" inner sleeve.
3. The Shackle Plates and Hardware can be used to push the rear bushings and sleeves into the frame location. Start by inserting the correct length Inner Sleeve(1955 Uses a 2 1/2" Sleeve, 1956 & 1957 use a 3 1/2" Sleeve) into a Bushing from the inner side (opposite of the flange). Push the sleeve in until it is flush with the flange side of the bushing. Insert the bushing/sleeve into the shackle bushing hole. Insert a 2nd bushing half in the opposite side pushing it onto the sleeve as far as you can by hand. Insert a 1/2"-13 bolt into a shackle plate. Insert the bolt/shackle plate into the bushing/sleeve and install a second shackle plate on the threads sticking out of the bushing. Install a 1/2"-13 nut and tighten until the bushings bottom out on the frame.



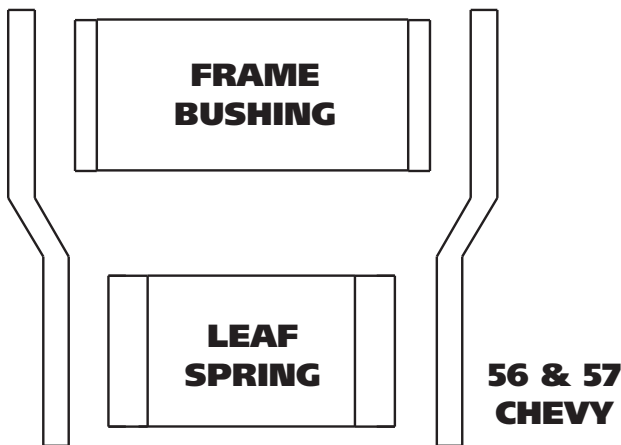
### Delrin Frame Bushing Installation

4.



4. The orientation of the Shackle Plates is determined by the year of the car. The Frame bushing is 2 1/2" wide on a 1955, 3 1/2" wide on 1956-1957. 1955 is shown in Diagram "6". The 1955 uses 1/2"-13 x 4" in the FRAME bushing and 1/2"-13 x 4 1/2" in the REAR leaf spring bushing.

5.



5. Diagram "5" shows the Shackle Plate orientation for 1956 & 1957. These cars use 1/2"-13 x 5" in the FRAME bushing and 1/2"-13 x 4 1/2" in the REAR leaf spring.

**Note:** ALL models use 1/2"-13 x 4" in the FRONT leaf spring bushing.

6.



6. Attach the rear of the Composite Leaf Spring(**WIDE BUSHING**) to the rear mount. If you are using the Ridetech Delrin Bushings, new Shackles and Hardware are supplied with them. Orientation of the Shackle Plates is shown in the Delrin Bushing instructions. Attach a Shackle Plate to each side of the Frame Bushing using the correct length 1/2" Bolt and 1/2"-13 Nylok Nut. Do not tighten. Align the remaining bolt holes in the shackle plates with the sleeve in the rear Leaf Spring bushing. Install a 1/2"-13 x 4 1/2" Bolt (WITH THREADS POINTING TO OUTSIDE OF CAR) and 1/2"-13 Nylok Nut. Do Not tighten hardware, it will get tightened later.



### Leaf Spring Installation



**7.** Bolt the **NARROW BUSHING END** of the Composite Leaf Spring into the OEM front leaf spring mount using a 1/2"-13 x 4" Hex Bolt and 1/2"-13 Nylok Nut.

**Note:** You may have to jack the rear differential up enough to swing the leaf spring in place.



**8.** Lower the differential onto the Leaf Spring. Align the top PIN into the HOLE in the OEM leaf spring mount. Install the lower Clamping Plate/Shock Mount, supplied in the Staggered Shock Kit being sure the Pins and Holes are aligned. The Clamping Plates have the shock mounts built in, the driver mount is installed with the shock mount to the inside rear with the passenger installed with the shock mount to the inside front. Driver is shown in Diagram "6". Install the 7/16" U-Bolts.

**9.** Install a 7/16" Flat Washer and 7/16-20 Nylok Nut on each U-bolt. Evenly tighten the hardware by tightening in a crisscross fashion. Torque the nuts to 55 ftlbs.

**Note:** When tightening the mounts, pay attention to the pads on the springs to make sure there is visible compression of the pads. .030"- .060" of compression is needed for the springs to be securely mounted. All of the clamping force needs to be on the spring itself.

**10.** Tighten the Bushing hardware, torquing it to 75 ftlbs. The Delrin Bushings will not bind, so it isn't necessary to have the car at ride height. If using OEM style rubber bushings, the car will need to be on the ground at ride height before tightening the bushing hardware.

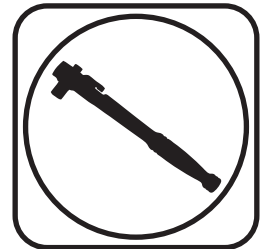
**11.** Install the Ridetech HQ Series shocks. Refer to the shock instructions.



### Part # 11029510 - 1955-1957 WAGON Rear Shock Kit



#### Recommended Tools



## HQ Series WAGON Rear Shock Kit Installation Instructions

#### Table of contents

Page 6.....	Components
Page 7.....	Shock Installation
Page 8.....	Shock Adjustment





### 7.55" HQ Series Smooth Body Shocks

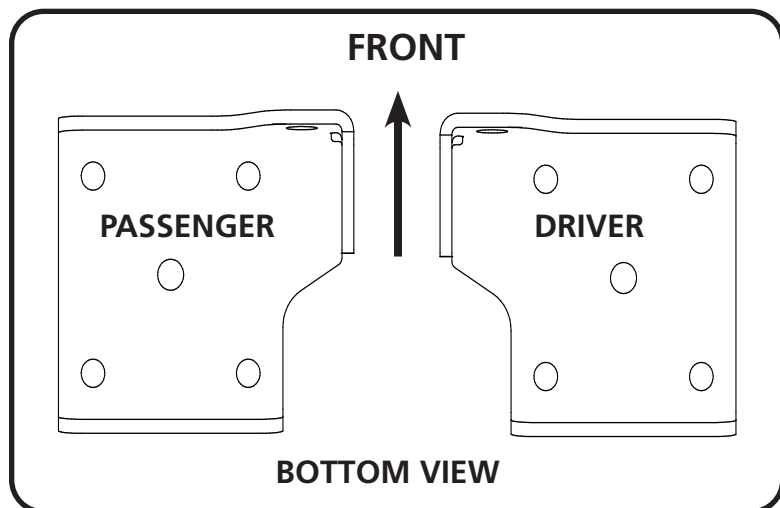
#### Major Components .....In the box

Part #	Description	QTY	
23289999	7.55" Stroke Shock	2	
70011138	3/4" ID Shock Bushing (Installed in Shock)	2	
90002013	5/8" ID Shock Sleeve (Installed in Shock)	2	
70011140	Stud Top Shock Bushing	4	
70011141	Stud Top Shock Bushing Washer	4	
90001617	Shock Stud	2	
90002556	Leaf Spring U-Bolt Plate - Passenger	1	
90002653	Leaf Spring U-Bolt Plate - Driver	1	
72000224	Universal Bottom Shock Stud - INSTALLED IN SHOCK	2	
99372006	3/8"-24 Jam Nut	Shock Stud Top	4
99436001	7/16"-20 U-Bolt	U-Bolt Plate	4
99432009	7/16"-20 High Nut	U-Bolt Plate	8
99433005	7/16" SAE Flat washer	U-Bolt Plate	8

The Rear Shocks will be installed in conjunction with the Rear Leaf Springs.

**THIS KIT WILL WORK WITH OEM LEAF SPRINGS, BUT WE RECOMMEND OUR COMPOSITE LEAF SPRING KIT #11014799 FOR MAXIMUM PERFORMANCE.**

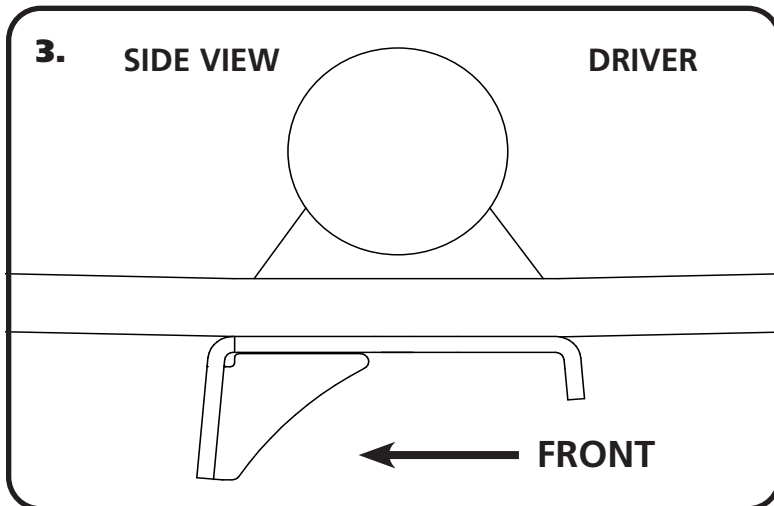
1. Jack the car up and support it by the frame rails. You will need to raise and lower the rear differential with a jack to ease installation. With the car supported by the frame, put the jack underneath the rear end housing and raise the jack up just enough to support the differential. Disconnect the bottom of the shock and remove the lower clamping plate/shock mount.
2. Remove the shocks from the car.



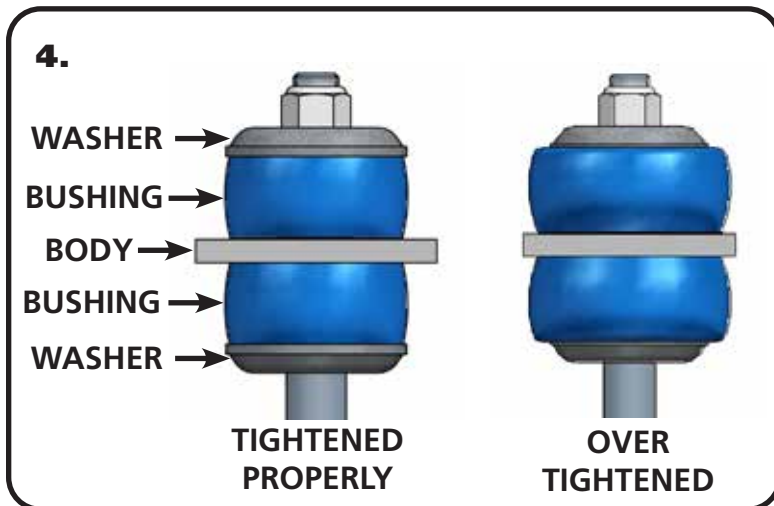
3. Diagram "3" shows the U-Bolt Plates/Shock Mounts as viewed from the bottom. Diagram "4" shows the Driver Mount viewed from the outside of the car. The Shock Mounts position the bottom of the shock to the inside behind the axle. Install the 7/16" U-bolts on the axle tube in place of the OEM u-bolts. Slide the New U-Bolt Plates onto the U-bolts using Diagram "3" as a reference. Verify that the lower locating pin is indexed into the locating hole of the Plate. Install a 7/16" Flat washer and 7/16-20 High Nut on each U-bolt. Evenly tighten the hardware by tightening in a crisscross fashion. Torque the nuts to 55 ftlbs.



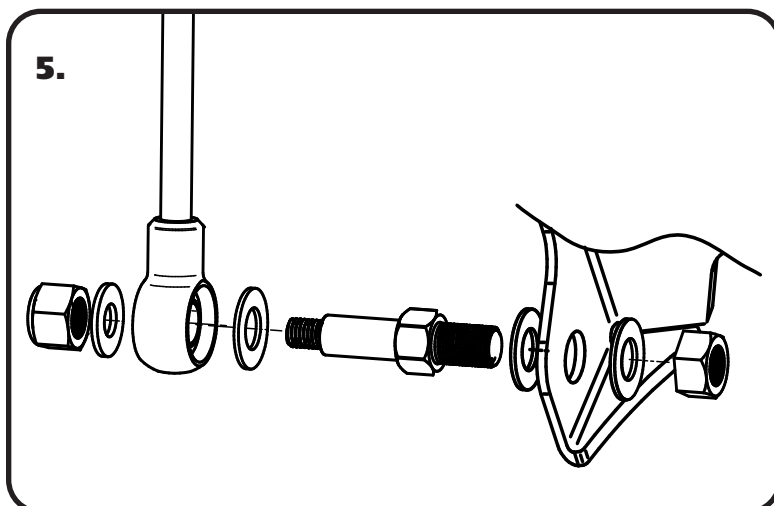
### Shock Installation



**Composite Leaf Spring Note:** When tightening the mounts, pay attention to the pads on the springs to make sure there is visible compression of the pads. .030" - .060" of compression is needed for the springs to be securely mounted. All of the clamping force needs to be on the spring itself.



**5.** To install the shock, remove the adjuster knob by loosening the set screw. Install a Bushing Washer followed by a Shock Bushing with the small diameter up. Insert the Shock through the OEM shock hole. With the Shock inserted into the OEM hole, install a Shock Bushing with the small diameter down. Next, install a Shock Bushing Washer followed by a 3/8"-24 jam nut. Tighten the Nut until the Bushings just starts to bulge. Install the 2nd 3/8"-24 jam nut tightening it against the nut that was previously tightened. Reinstall the adjuster knob.



**6.** The Lower Shock is Bolted to the Lower Shock Mount using the supplied Shock Stud. Insert the Shock Stud into Lower Mount with a 5/8" Flat Washer on EACH side of the mount. Install a 5/8" Lock Nut on the threads and tighten. Next, slide a Washer on the Shock Stud. Jack the Rear Differential up until the Shocks can be slid onto the Shock Studs. Install a 7/16" Flat Washer and 7/16" Hex Nut onto the Threads and tighten.



### Shock Adjustment

#### Shock adjustment 101- Single Adjustable

##### Rebound Adjustment:

How to adjust your new shocks

The rebound adjustment knob is located on the top of the shock absorber protruding from the eyelet or stud top. You must first begin at the ZERO setting, then set the shock to a street setting of 12 or handling setting of 8.



-Begin with the shocks adjusted to the ZERO rebound position (full stiff). Do this by rotating the rebound adjuster knob clockwise until it stops.

-Now turn the rebound adjuster knob counter clockwise 12 clicks. This sets the shock at 12 for a street setting. If you are after a handling setting only go 8 clicks.

##### Take the vehicle for a test drive.



-if you are satisfied with the ride quality, do not do anything, you are set!

-if the vehicle is too soft increase the damping effect by rotating the rebound knob clockwise 3 additional clicks.

-If the vehicle is too stiff rotate the rebound adjustment knob counter clock wise 2 clicks and you are set!

Take the vehicle for another test drive and repeat the above steps until the ride quality is satisfactory.

##### Note:

**One end of the vehicle will likely reach the desired setting before the other end. If this happens stop adjusting the satisfied end and keep adjusting the unsatisfied end until the overall ride quality is satisfactory.**