



**INSTALLATION  
INSTRUCTIONS**



**Part # 11169512**



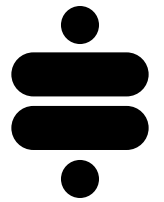
**Motor Mounts - GM LS**

**1967-1981 GM F-Body w/Ridetech Subframe  
1964-1972 GM A-Body w/Ridetech Chassis**





**Please Read And Understand All Instructions  
And Warnings Prior To The Installation Of  
This Product.**



**THANK YOU**

Congratulations on your new Ridetech product! It's an honor that you've selected the Ridetech brand to upgrade your ride. Our products are developed around quality and performance without compromise. We're confident you'll have many years (and miles) of pure driving enjoyment.  
Thank you for choosing Ridetech!

### Road Map

**Installation**

**3**

### COMPONENTS LISTING

Part #	Description	QTY
90003886	GM LS Motor Mount - Driver	1
90003887	GM LS Motor Mount - Passenger	1
99010207	Hardware Kit	1

Hardware Kit: 99010207		
Part #	Description	Qty
<b>MOUNT TO CRADLE</b>		
99561012	9/16-18 X 4.5" GR8 HEX BOLT	2
99562011	9/16-18 GR8 Nylok Nut	2
99563003	9/16" SAE Washer	4
<b>LS BLOCK TO MOUNT</b>		
99111013	M10 X 1.5 X 25 MM 10.9 BOLT	6
99113002	M10 FLAT WASHER	6
99113001	M10 SPLIT LOCK WASHER	6
<b>SB/BB CHEVY BLOCK TO MOUNT</b>		
99371025	3/8-16 X 1" GR 8 HEX BOLT	6
99373002	3/8" SAE WASHER	6
99373006	3/8" SPLIT LOCK WASHER GR8	6

# Installation

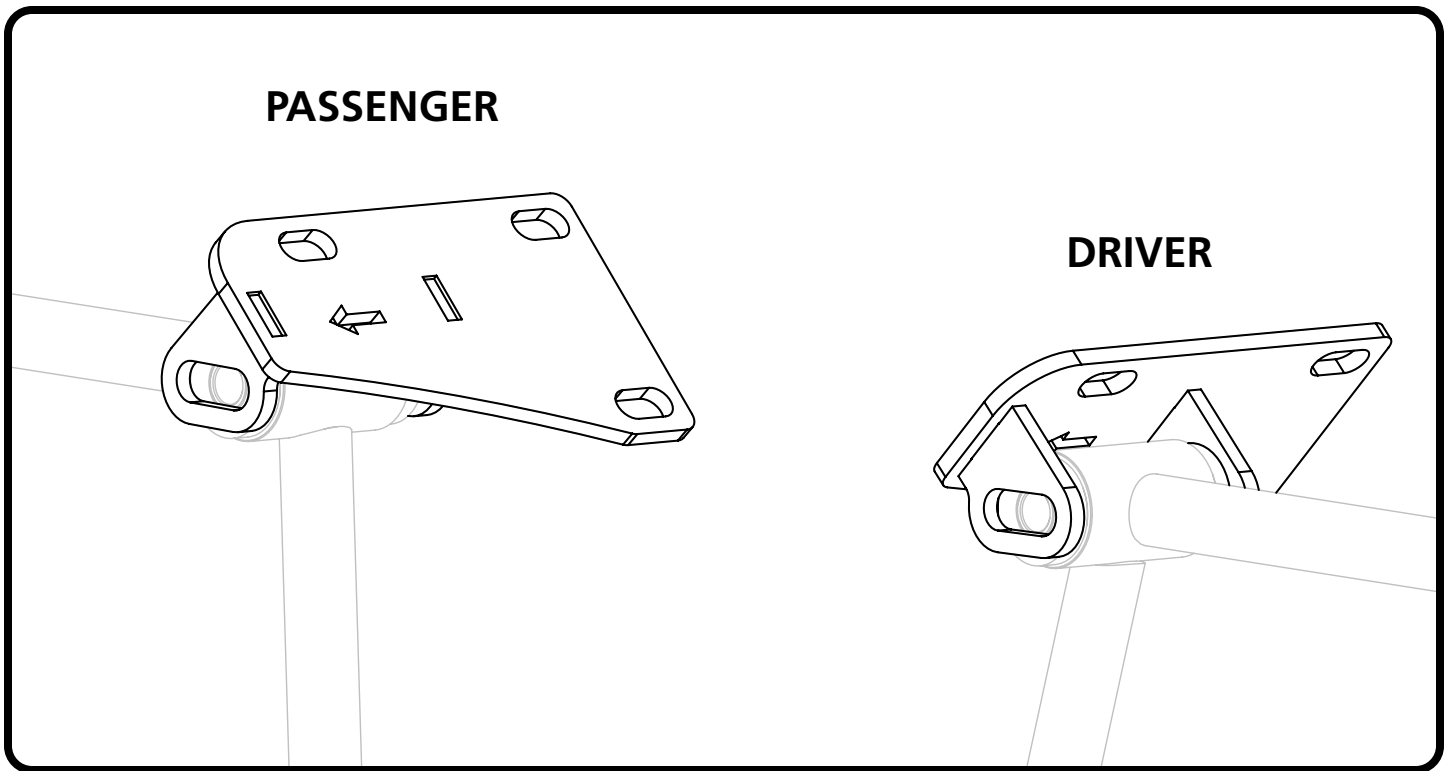
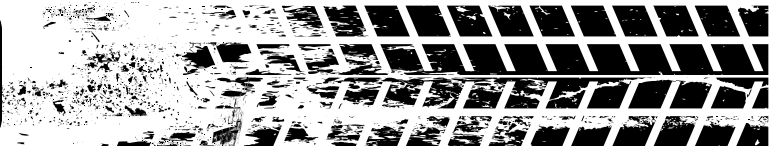


Figure 1

1. Attach the mounts to the engine block at the OEM location using the appropriate hardware packet for your particular engine. The 99010207 hardware kit contains mounting hardware for Chevy small block, big block and LS engines. Refer to Figure 1 for the correct mount orientation. The arrow should be pointing to the front of the vehicle.
2. Attach the mounts to the subframe or chassis engine-mount arms with the 9/16" bolts, washers and nylok nuts.
3. Torque all hardware according to the torque values listed in the table below.

ENGINE MOUNT TORQUE VALUES	
Description	Torque
3/8"-16 x 1" bolts	37 ft-lbs
M10-1.5 x 25mm bolts	45 ft-lbs
9/16"-18 x 4.5" bolts	90 ft-lbs