



**Part # 11169514**



**Motor Mounts - Gen V LT**

**1967-1981 GM F-Body w/Ridetech Subframe  
1964-1972 GM A-Body w/Ridetech Chassis**



**Please Read And Understand All Instructions  
And Warnings Prior To The Installation Of  
This Product.**

**THANK YOU**

Congratulations on your new Ridetech product! It's an honor that you've selected the Ridetech brand to upgrade your ride. Our products are developed around quality and performance without compromise. We're confident you'll have many years (and miles) of pure driving enjoyment.  
Thank you for choosing Ridetech!

**Road Map**

**Installation**

**3**

**COMPONENTS LISTING**

<b>Part #</b>	<b>Description</b>	<b>QTY</b>
90003901	Gen V LT Motor Mount - Driver	1
90003902	Gen LT Motor Mount - Passenger	1
99010280	Hardware Kit	1

<b>Hardware Kit: 99010280</b>		
<b>Part #</b>	<b>Description</b>	<b>Qty</b>
<b>MOUNT TO CRADLE</b>		
99561012	9/16-18 X 4.5" GR8 HEX BOLT	2
99562011	9/16-18 GR8 Nylok Nut	2
99563003	9/16" SAE Washer	4
<b>LT BLOCK TO MOUNT</b>		
99111002	M10-1.5 X 30MM HCS GR10.9	8
99113002	M10 FLAT WASHER	8
99113001	M10 SPLIT LOCK WASHER	8

# Installation

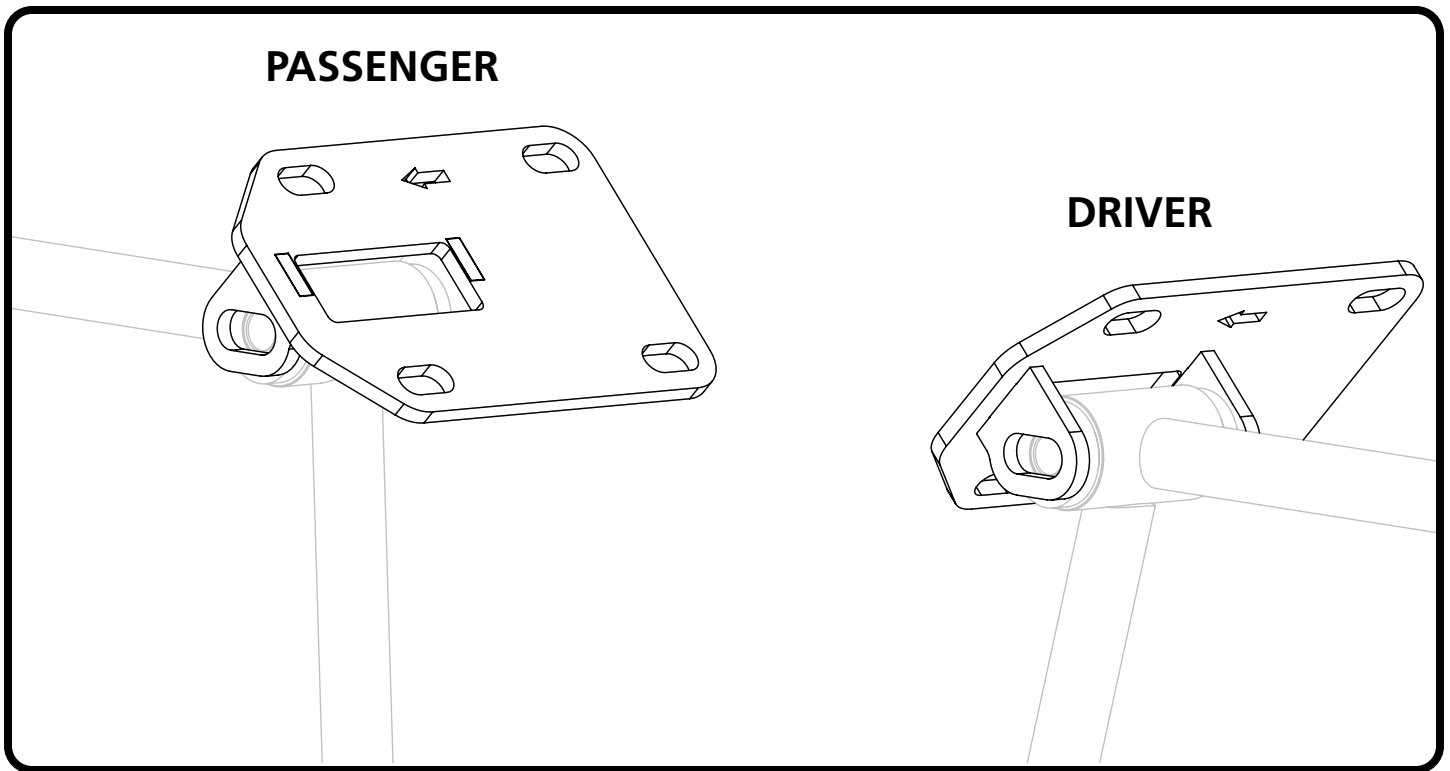
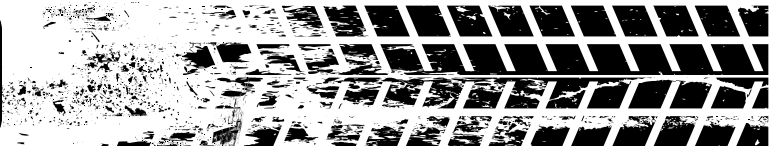


Figure 1

1. Attach the mounts to the engine block at the OEM location using the supplied hardware. Refer to Figure 1 for the correct mount orientation. The arrow should be pointing to the front of the vehicle.
2. Attach the mounts to the subframe or chassis engine-mount arms with the 9/16" bolts, washers and nylok nuts.
3. Torque all hardware according to the torque values listed in the table below.

ENGINE MOUNT TORQUE VALUES	
Description	Torque
M10-1.5 x 25mm bolts	45 ft-lbs
9/16"-18 x 4.5" bolts	90 ft-lbs