



**INSTALLATION  
INSTRUCTIONS**



**Part # 11169515**



**Motor Mounts - Pontiac**

**1967-1981 GM F-Body w/Ridetech Subframe  
1964-1972 GM A-Body w/Ridetech Chassis**



**Please Read And Understand All Instructions  
And Warnings Prior To The Installation Of  
This Product.**

**THANK YOU**

Congratulations on your new Ridetech product! It's an honor that you've selected the Ridetech brand to upgrade your ride. Our products are developed around quality and performance without compromise. We're confident you'll have many years (and miles) of pure driving enjoyment.  
Thank you for choosing Ridetech!

**Road Map**

**Installation**

**3**

**COMPONENTS LISTING**

<b>Part #</b>	<b>Description</b>	<b>QTY</b>
90003922	Pontiac Motor Mount - Driver	1
90003923	Pontiac Motor Mount - Passenger	1
99010286	Hardware Kit	1

**Hardware Kit: 99010286**

<b>Part #</b>	<b>Description</b>	<b>Qty</b>
<b>MOUNT TO CRADLE</b>		
99561012	9/16-18 X 4 1/2 HCS GR8	2
99562011	9/16-18 NYLON INSERT GR8	2
99563003	9/16 SAE FLAT WASHER GR8	4
<b>BLOCK TO MOUNT</b>		
99431036	7/16-14 X 1 HCS GR8 YZ	6
99433002	7/16 SAE FLAT WASHER	6
99433003	7/16 SPLIT LOCKWASHER	6

# Installation

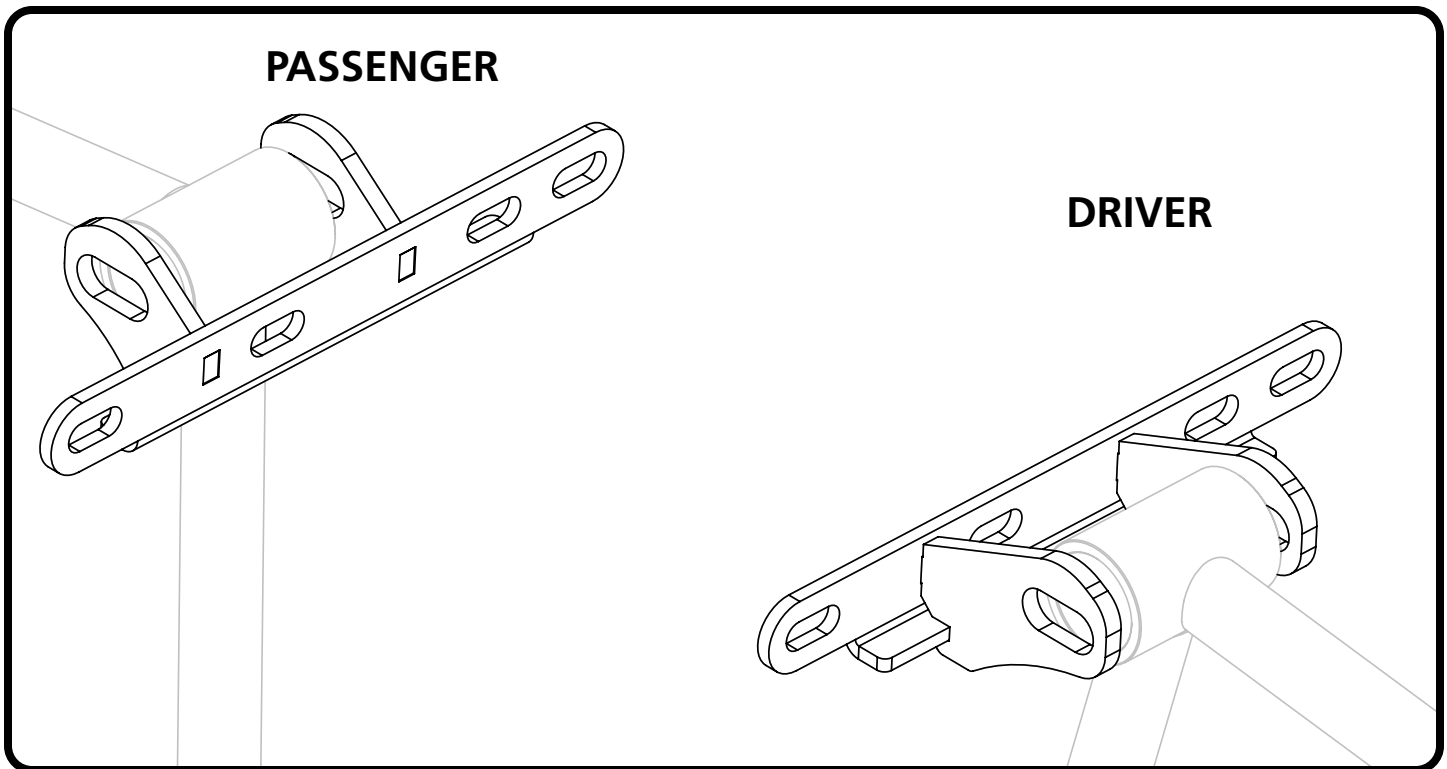
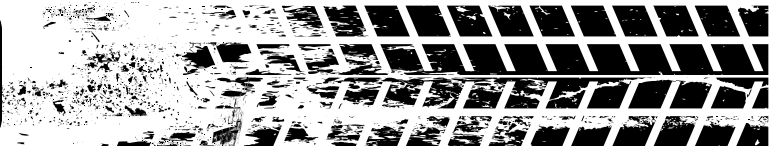


Figure 1

1. Attach the mounts to the engine block at the OEM location using the supplied hardware. Refer to Figure 1 for the correct mount orientation. The two slotted holes that are closest together should be to the rear of the vehicle.
2. Attach the mounts to the subframe or chassis engine-mount arms with the 9/16" bolts, washers and nylok nuts.
3. Torque all hardware according to the torque values listed in the table below.

ENGINE MOUNT TORQUE VALUES	
Description	Torque
7/16"-14 x 1" bolts	45 ft-lbs
9/16"-18 x 4.5" bolts	90 ft-lbs