



**INSTALLATION  
INSTRUCTIONS**



**Part # 11169517**



**Motor Mounts - Small/Big Block Oldsmobile**

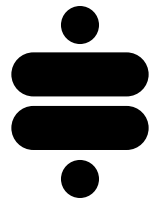
**1967-1981 GM F-Body w/Ridetech Subframe**

**1968-1972 GM A-Body w/Ridetech Chassis**





**Please Read And Understand All Instructions  
And Warnings Prior To The Installation Of  
This Product.**



**THANK YOU**

Congratulations on your new Ridetech product! It's an honor that you've selected the Ridetech brand to upgrade your ride. Our products are developed around quality and performance without compromise. We're confident you'll have many years (and miles) of pure driving enjoyment.  
Thank you for choosing Ridetech!

**Road Map**

**Installation**

**3**

**COMPONENTS LISTING**

| Part #   | Description                  | QTY |
|----------|------------------------------|-----|
| 90003946 | Olds Motor Mount - Driver    | 1   |
| 90003947 | Olds Motor Mount - Passenger | 1   |
| 99010294 | Hardware Kit                 | 1   |

**Hardware Kit: 99010294**

| Part #                 | Description              | Qty |
|------------------------|--------------------------|-----|
| <b>MOUNT TO CRADLE</b> |                          |     |
| 99561012               | 9/16-18 X 4 1/2 HCS GR8  | 2   |
| 99562011               | 9/16-18 NYLON INSERT GR8 | 2   |
| 99563003               | 9/16 SAE FLAT WASHER GR8 | 4   |
| <b>BLOCK TO MOUNT</b>  |                          |     |
| 99431021               | 7/16-14 X 1.25" HCS GR8  | 4   |
| 99433005               | 7/16 SAE FLAT WASHER     | 4   |

# Installation

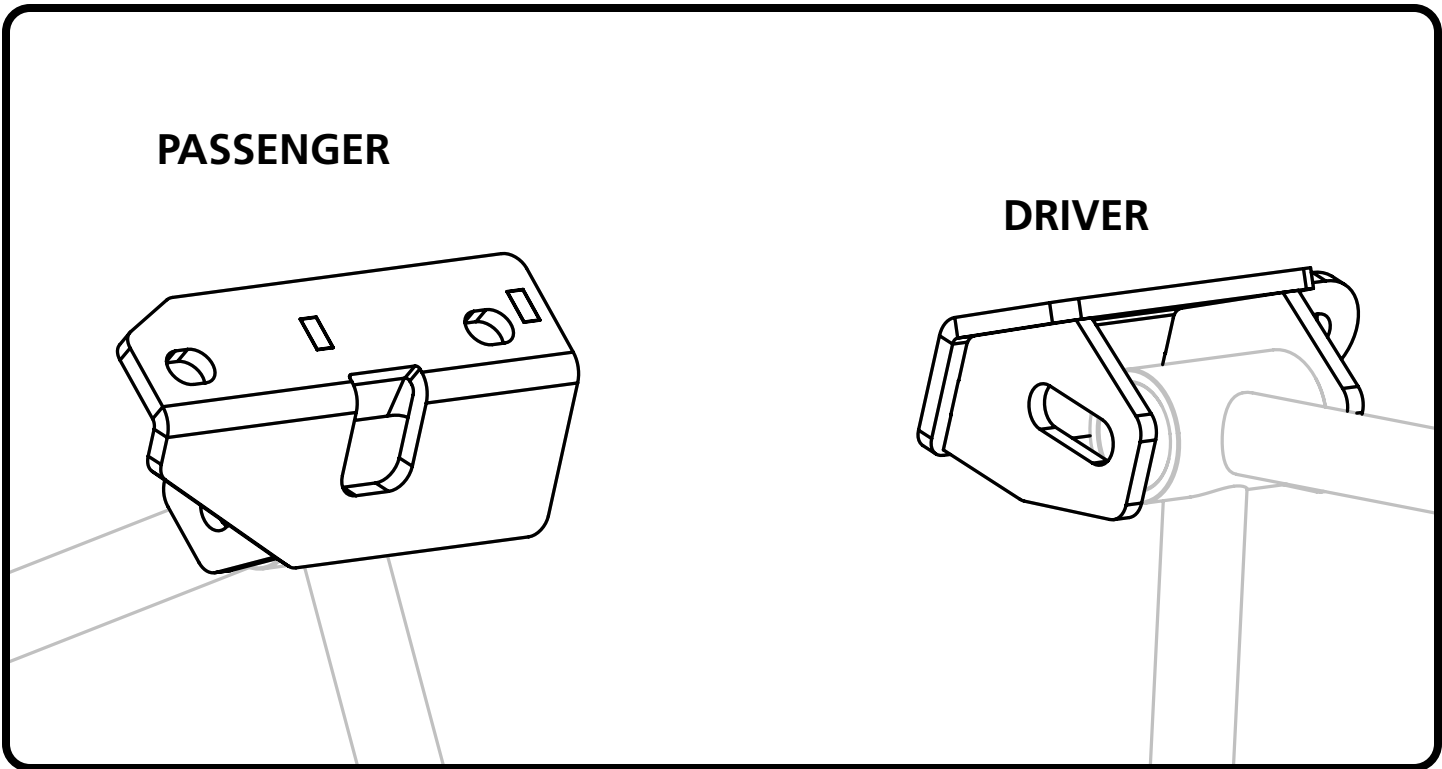
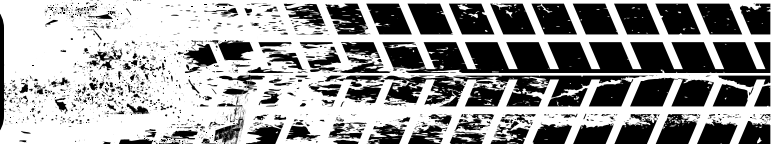


Figure 1

1. Attach the mounts to the engine block at the OEM location using the supplied hardware. Refer to Figure 1 for the correct mount orientation. The rounded "ear" on the driver mount should be to the rear of the vehicle, and the angled end of the passenger mount should be to the front.
2. Attach the mounts to the subframe or chassis engine-mount arms with the 9/16" bolts, washers and nylok nuts.
3. Torque all hardware according to the torque values listed in the table below.

| ENGINE MOUNT TORQUE VALUES |           |
|----------------------------|-----------|
| Description                | Torque    |
| 7/16"-14 x 1" bolts        | 45 ft-lbs |
| 9/16"-18 x 4.5" bolts      | 90 ft-lbs |