



**INSTALLATION
INSTRUCTIONS**



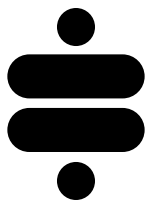
Part # 11169518



Motor Mounts - Big Block Buick

**1967-1981 GM F-Body w/Ridetech Subframe
1968-1972 GM A-Body w/Ridetech Chassis**





**Please Read And Understand All Instructions
And Warnings Prior To The Installation Of
This Product.**



THANK YOU

Congratulations on your new Ridetech product! It's an honor that you've selected the Ridetech brand to upgrade your ride. Our products are developed around quality and performance without compromise. We're confident you'll have many years (and miles) of pure driving enjoyment.
Thank you for choosing Ridetech!

Road Map

Installation

3

COMPONENTS LISTING

Part #	Description	QTY
90003948	Buick BB Motor Mount - Driver	1
90003949	Buick BB Motor Mount - Passenger	1
99010294	Hardware Kit	1

Hardware Kit: 99010294

Part #	Description	Qty
MOUNT TO CRADLE		
99561012	9/16-18 X 4 1/2 HCS GR8	2
99562011	9/16-18 NYLON INSERT GR8	2
99563003	9/16 SAE FLAT WASHER GR8	4
BLOCK TO MOUNT		
99431021	7/16-14 X 1.25" HCS GR8	4
99433005	7/16 SAE FLAT WASHER	4

Installation

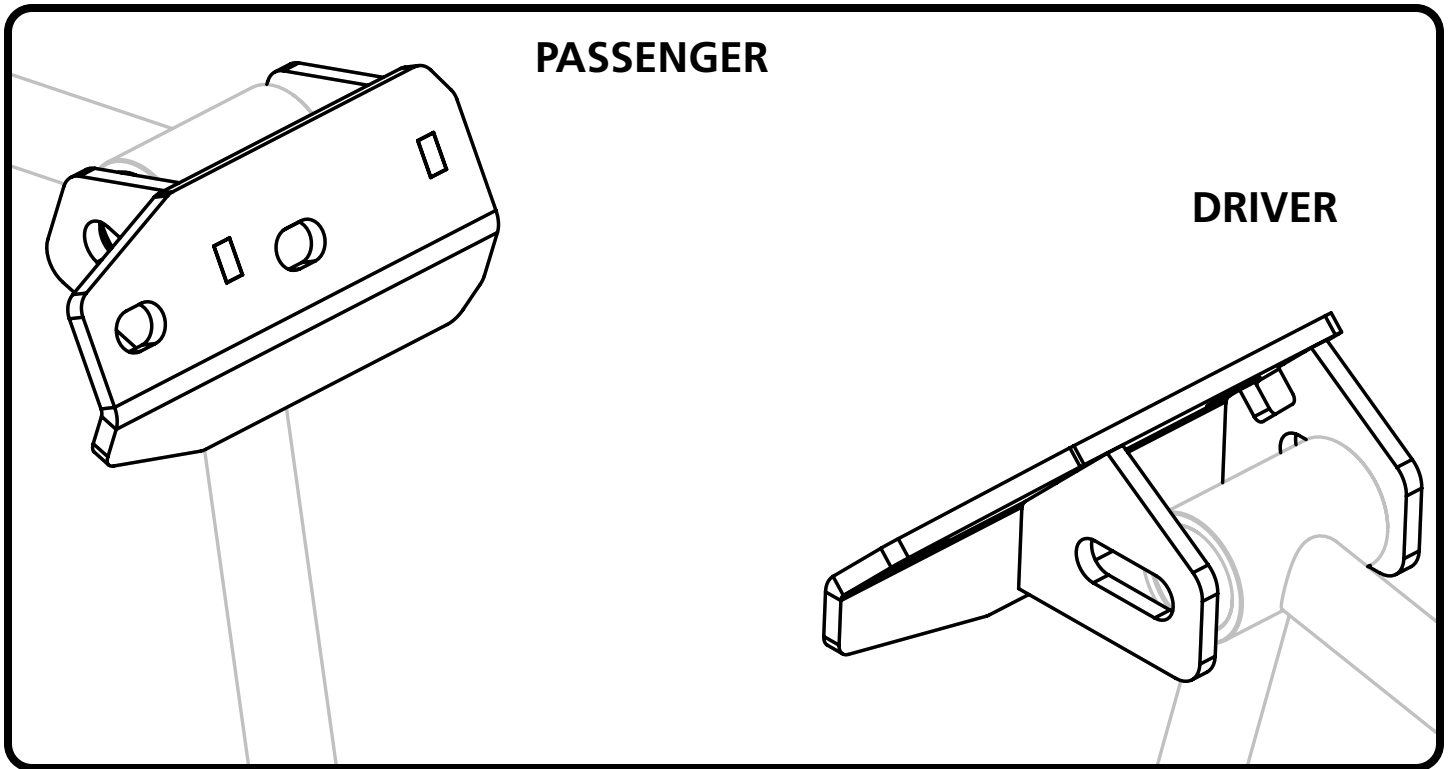
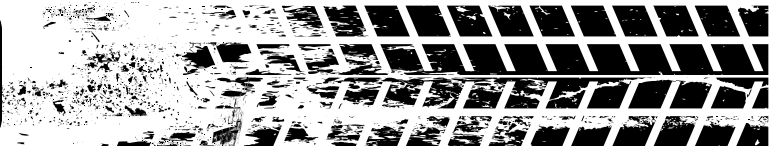


Figure 1

1. Attach the mounts to the engine block at the OEM location using the supplied hardware. Refer to Figure 1 for the correct mount orientation. The slotted holes should be to the front.
2. Attach the mounts to the subframe or chassis engine-mount arms with the 9/16" bolts, washers and nylok nuts.
3. Torque all hardware according to the torque values listed in the table below.

ENGINE MOUNT TORQUE VALUES	
Description	Torque
7/16"-14 x 1" bolts	45 ft-lbs
9/16"-18 x 4.5" bolts	90 ft-lbs