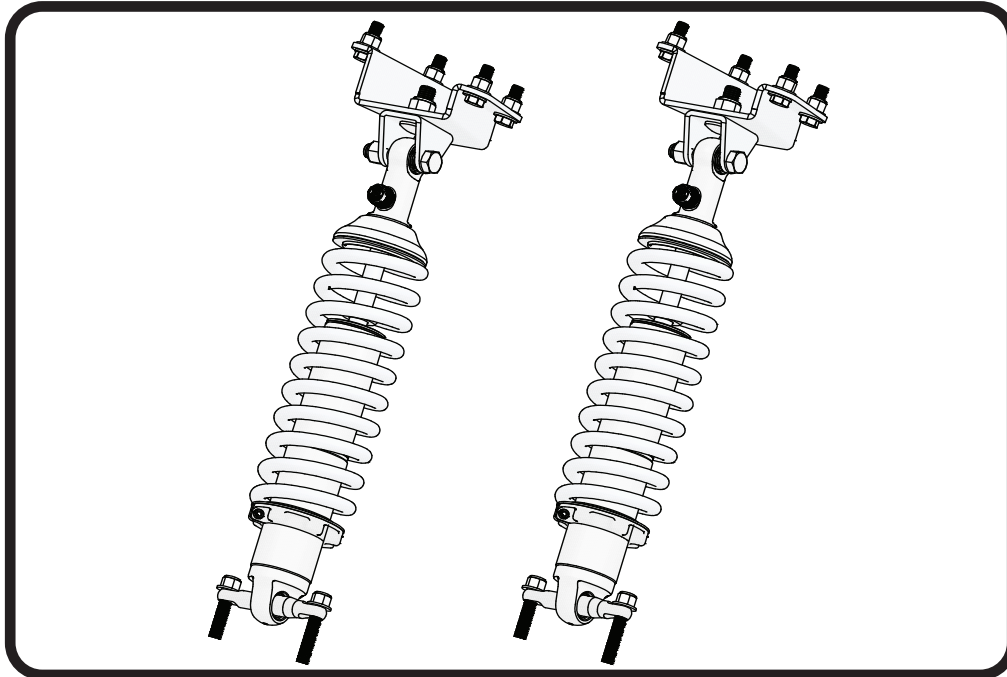
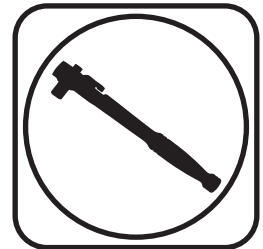




### Part # 11213110 - 1993-2002 F Body HQ Front CoilOvers



#### Recommended Tools



## 1993-2002 GM F Body HQ Series Front CoilOvers Installation Instructions

#### Table of contents

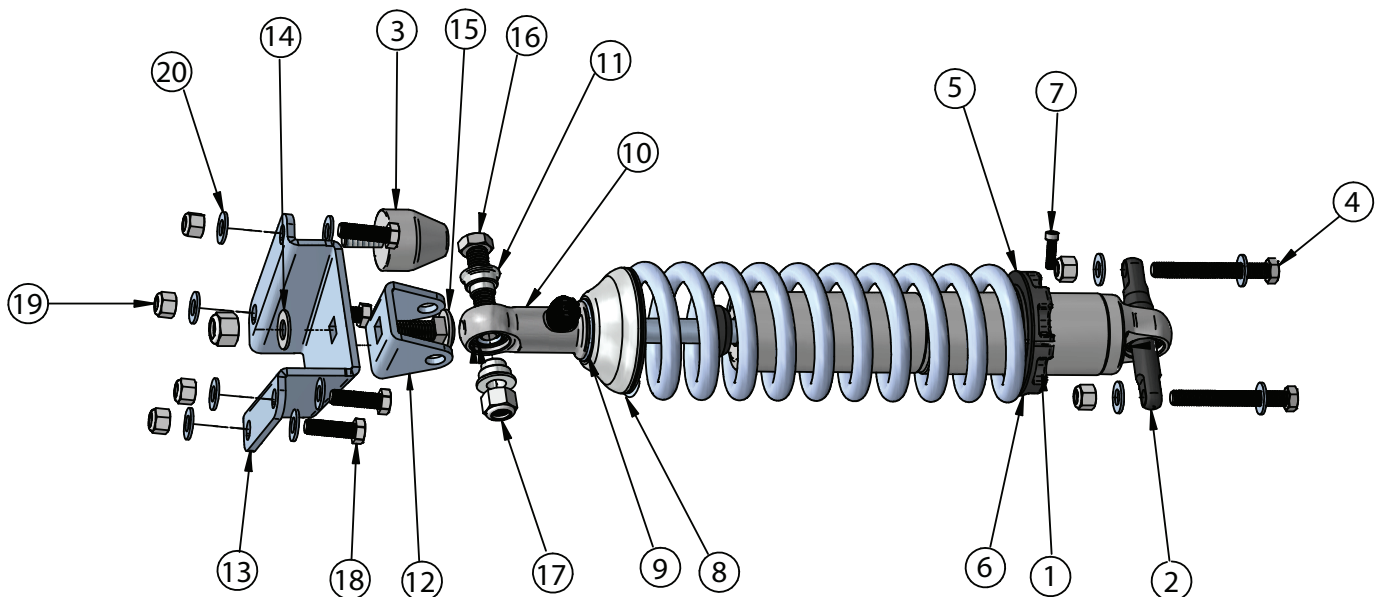
|             |                                       |
|-------------|---------------------------------------|
| Page 2..... | Included components                   |
| Page 3..... | Hardware List and Getting Started     |
| Page 4..... | CoilOver Assembly and Installation    |
| Page 5..... | Upper Mount Assembly and Installation |
| Page 6..... | CoilSpring Adjusting                  |
| Page 7..... | Shock Adjustment                      |





### Major Components .....In the box

| Item # | Part #          | Description                                      | QTY |
|--------|-----------------|--|-----|
| 1      | 982-10-806      | 6.3" Stroke HQ Series Shock                      | 2   |
| 2      | 90001692        | F Body Trunion (Installed in Shock)              | 2   |
| 3      | 90001083        | Medium Bumpstop                                  | 2   |
| 5      | 70010828        | Delrin Spring Washer                             | 4   |
| 6      | 803-00-199(kit) | Lower Spring Adjuster Nut (803-00-199 kit)       | 2   |
| 7      | 803-00-199(kit) | Adjuster Nut Locking Screw (803-00-199 kit)      | 2   |
| 8      | 90002070        | Upper CoilSpring Retaining Plate                 | 2   |
| 9      | 803-00-199(kit) | CoilSpring Plate Retaining Ring (803-00-199 kit) | 2   |
| 10     | 90002025        | Upper Shock Eyelet                               | 2   |
| 11     | 90002043        | Upper Eyelet Bearing Spacers                     | 2   |
| 12     | 90009982        | Upper Shock Mount                                | 2   |
| 13     | 90002305        | Upper Shock Mounting Bracket DRIVERS             | 1   |
| 13     | 90002306        | Upper Shock Mounting Bracket (PASSENGER)         | 1   |
|        | 90001994        | 5/8" ID Bearing (installed in shock eyelet)      | 2   |
|        | 90001995        | Bearing Snap Ring (installed in shock eyelet)    | 4   |
|        | 59140350        | 14" 350lb CoilSpring                             | 2   |





### Hardware List .....In the box

| QTY | Part Number | Description               |  |
|-----|-------------|---------------------------|--|
| 2   | 99371003    | 3/8"-16 x 3" Hex Bolt     | Lower Shock to Control Arm (4)             |
| 2   | 99503001    | 1/2" SAE Flatwasher       | Upper Shock Mount to Bracket (14)          |
| 2   | 99501018    | 1/2" Carriage Bolt        | Upper Shock Mount to Bracket (15)          |
| 2   | 99501003    | 1/2"-13 x 2 1/2" Hex Bolt | Upper Shock To Mount (16)                  |
| 4   | 99502001    | 1/2"-13 Nylok Nut         | Upper Shock Mounting (17)                  |
| 8   | 99371004    | 3/8"-16 x 1 1/4" Bolt     | Upper Shock Mount to Car(18)               |
| 12  | 99372002    | 3/8"-16 Nylok Nut         | Upper Shock Mount to Car and Bumpstop (19) |
| 24  | 99373003    | 3/8" Flatwasher           | Upper Mount to Car, Bumpstop, Lower Mount  |

### Getting Started.....

Congratulations on your purchase of the Ridetech F Body CoilOver System. This system has been designed to give your F Body excellent handling along with a lifetime of enjoyment. The CoilOver System provides flexibility that can not be achieved with Conventional CoilSpring. The CoilOver System will give you the flexibility of adjusting your ride height along with numerous spring options to dial in your ride quality to your personal preference.

1. The front OEM Shocks and Springs will need to be removed from the front of the car.
2. Raise the vehicle and support it by the frame or rear crossmember allowing the suspension to hang freely.
3. Support The lower Control Arm with a Jack or Jack Stand. The upper shock mount is also used to attach the upper control arm. When you remove the upper shock mount the spindle will want to swing out. Don not allow it to swing out or it can damage your brake lines.
4. Unbolt the lower shock mount from OEM Control Arm.
5. Unbolt the upper Shock mount and remove the OEM Shock and Spring setup from the car.
6. With the Shocks and CoilSprings removed you are ready to start assembling the CoilOvers and install them in your Camaro.

To get Started refer to the page 4 on how to assemble the CoilOver

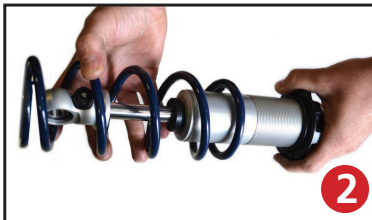


### CoilOver Assembly...



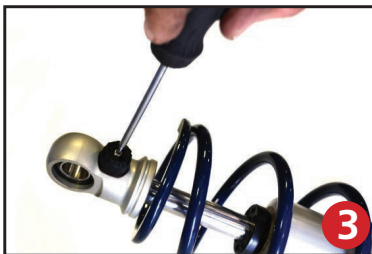
1

First, using the supplied lower adjuster nut (803-00-199) thread the nut onto the shock from the bottom side as seen in figure 1. Remove the plastic pellet that is in the split of the adjuster nut.



2

Next, install a delrin washer then coil spring over the top of the shock as seen in figure 2.



3

Before the upper spring mount can be installed screw the adjuster knob on the upper eye mount to the firmest setting (clockwise) as seen in figure 3. Then remove the Knob by holding it while removing the center screw.



4

Once the knob is removed slide a Delrin washer over the eyelet. Next, slide the upper spring mount (803-00-199) over eyelet as seen in figure 4.



5

Install upper spring mount retainer clip (803-00-199) into the groove on the upper eyelet as seen in figure 5. Then, reinstall adjuster to complete assembly.

**Install the locking screw in the adjuster nut before setting spring preload, but DO NOT tighten until the spring preload has been set.**

**NOTE:** Remember to adjust the shock valving before driving, the shock is currently set to full stiff.

### CoilOver Installation



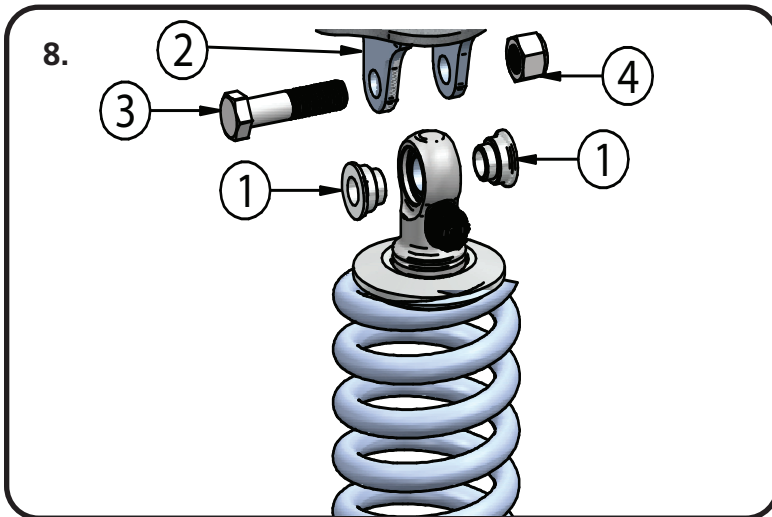
7.

7. Using the 1/2" Carriage Bolt, 1/2" Flat-washer, and 1/2" Nylok, bolt the Upper Shock Mount to the upper bracket. The squares in the brackets should be aligned with the square shank on the carriage bolt. With the squares aligned tighten the mount. With the 2 pieces bolted together, bolt them into the car using (4) 3/8"-16 x 1 1/4", (8) 3/8" Flatwashers, and (4) 3/8" Nylok nuts. There is Driver and Passenger Bracket and this have a "D" and "P" stamped in them. Tighten all hardware.





### Upper Mount Assembly and Installation



8. With the CoilOver assembled insert the upper spacers(1) into the upper shock bearings. With the spacers installed insert the CoilOver assembly into the upper shock mount(2). Align the holes in the bracket with the hole in the Shock spacers and insert the 1/2" Bolt(3) and secure with the 1/2" Nylok Nut(4).



9. Attach the lower CoilOver mount to the OEM Lower Control Arm using (2) 3/8"-16 x 3" Bolts, (4) 3/8" Flatwashers, and (2) 3/8"-16 Nylok Nuts. Tighten Hardware. It may be necessary to raise the lower control arm up to align the CoilOver with the OEM Mount.



Tighten the lower Coilspring Adjusting nut until the Coilspring is sitting snugly on the CoilOver. Using the Spanner wrench add another 1/2" of preload in the spring by threading the adjuster nut up the Shock Body. Be sure that the locking screw is lightly tightened in the adjuster nut. Once you have preloaded tighten the locking screw. It may be necessary to add more preload, this will be determined once the car is setting on the ground.



### Final Assembly



**11.** A bump stop will be installed between the inner fender and upper control arm to ensure that the tire does not hit the inner fender when fully compressed. There is a small hole on the inner fender that must be drilled out to 3/8". Fasten the bump stop to the inner fender using a 3/8" Nylok nut and flat washer.

### Shock Adjustment

#### Ride Height

We have designed most cars to have a ride height of about 1 1/2" lower than factory. To achieve the best ride quality & handling, the shock absorber needs to be at 40-60% overall travel when the car is at ride height. This will ensure that the shock will not bottom out or top out over even the largest bumps. Measuring the shock can be difficult, especially on some front suspensions. Measuring overall wheel travel is just as effective and can be much easier. Most cars will have 4-6" of overall wheel travel. One easy way to determine where you are at in wheel travel is to take a measurement from the fender lip (center of the wheel) to the ground. Then lift the car by the frame until the wheel is just touching the ground, re-measure. This will indicate how far you are from full extension of the shock. A minimum of 1.5" of extension travel (at the wheel) is needed to ensure that the shock does not top out. If you are more than 3" from full extension of the shock then you are in danger of bottoming out the shock absorber.

#### Adjusting Spring Height

When assembling the CoilOver, screw the spring retainer tight up to the spring (0 preload). After entire weight of car is on the wheels, jounce the suspension and roll the car forward and backward to alleviate suspension bind.

- If the car is too high w/ 0 preload then a smaller rate spring is required. Although threading the spring retainer down would lower the car, this could allow the spring to fall out of its seat when lifting the car by the frame.
- If the car is too low w/ 0 preload, then preload can then be added by threading the spring retainer up to achieve ride height. On 2.6" - 4" stroke shocks, up to 1.5" of preload is acceptable. On 5-7" stroke shocks, up to 2.5" of preload is acceptable. If more preload is needed to achieve ride height a stiffer spring rate is required. Too much preload may lead to coil bind, causing ride quality to suffer.



### Shock Adjustment

#### Shock Adjustment 101- Single Adjustable

##### Rebound Adjustment:

How to adjust your new shocks.

The rebound adjustment knob is located on the top of the shock absorber protruding from the eyelet.

You must first begin at the ZERO setting, then set the shock to a soft setting of 20.



-Begin with the shocks adjusted to the ZERO rebound position (full stiff). Do this by rotating the rebound adjuster knob clockwise until it stops.



-Now turn the rebound adjuster knob counter clock wise 20 clicks. This sets the shock at 20. (settings 21-24 are typically too soft for street use).

##### Take the vehicle for a test drive.



-if you are satisfied with the ride quality, do not do anything, you are set!



-if the ride quality is too soft increase the damping effect by rotating the rebound knob clock wise 3 clicks.

##### Take the vehicle for another test drive.



-if the vehicle is too soft increase the damping effect by rotating the rebound knob clock wise 3 additional clicks.



-If the vehicle is too stiff rotate the rebound adjustment knob counter clock wise 2 clicks and you are set!

Take the vehicle for another test drive and repeat the above steps until the ride quality is satisfactory.

##### Note:

**One end of the vehicle will likely reach the desired setting before the other end. If this happens stop adjusting the satisfied end and keep adjusting the unsatisfied end until the overall ride quality is satisfactory.**

### STILL HAVE QUESTIONS?

#### Tech line hours

Monday - Friday

8AM - 6PM (EST) ..... 812-482-2932