



**Part # 11329102 - 1978-1988 GM G-Body Rear SwayBar**



**Recommended Tools**



**1978-1988 GM G-Body Rear SwayBar  
Installation Instructions**

Table of contents  
Page 2..... Included Components and Hardware List  
Page 3..... SwayBar Installation



### Major Components & Hardware ....In the box

Part #	Description	QTY
90002659	Rear SwayBar	1

Part #	Description	Usage	QTY
99431003	7/16"-14 X 3.00" Hex Bolt	SwayBar to Control Arm	4
99432001	7/16"-14 Nylok Nut	SwayBar to Control Arm	4
99433003	7/16" Flat Washer	SwayBar to Control Arm	8

### Getting Started.....

If your Car is Equipped with an OEM SwayBar or has provisions for a SwayBar, skip to Step #3

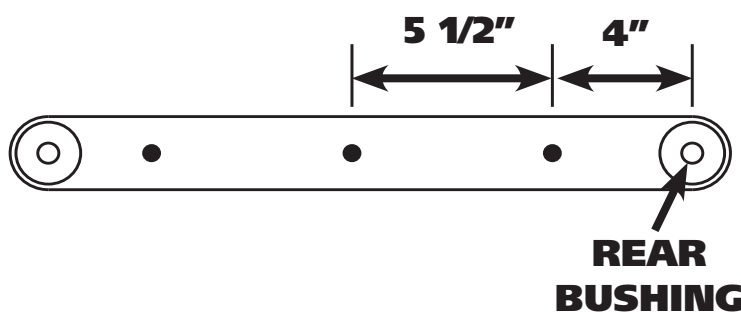
If your Car wasn't equipped with a SwayBar, you will need to Drill Holes in the Lower Control Arms to attach the supplied SwayBar.

Most cars will have the holes in the control arm.

If your Car has Aftermarket Arms that have a Provision for a SwayBar, this SwayBar will fit them.

### SwayBar Installation

3.



1. Every car we have worked with had the holes for a swaybar. They had 3 holes, but the front hole isn't used to mount the swaybar. If your Car has no holes, measure forward 4" from the center of the Rear Bushing and make a mark centered top to bottom. Next measure forward 5 1/2" from your first mark and mark the second hole centered top to bottom. Drill the locations with a 7/16" Drill Bit going through both sides of the Arm. Repeat for both Arms.



### SwayBar Installation



**2.** If your lower arm doesn't have any internal support at the mounting holes, insert the Supplied Spacer into the inside of the Control Arm at the Hole Locations. These Spacers will get Clamped in place by the Mounting Hardware after the SwayBar is installed. These can be welded in place if desired.



**3.** Slide the bar in Place with the LOW part of the bar down. Install a 3/8" washer on one of the M10-1.5 x 70mm Bolts and install one in each Front Hole to help hold it in place. Swing the SwayBar into position and insert the Rear Bolt/Washer. Tighten Hardware.



**4.** Install a 3/8" washer on one of the M10-1.5 x 70mm Bolts and install one in each Front Hole to help hold it in place. Swing the SwayBar into position and insert the Rear Bolt/Washer. Tighten Hardware.