



Part # 11330197

Part # 11330197 - 1963-1972 C10/C15 Air Suspension System

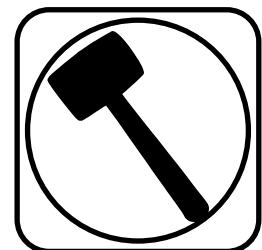
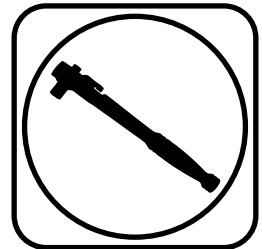
Front Components:

11331010 Front CoolRide with HQ Series Shocks

Rear Components:

11334010 Rear CoolRide with HQ Series Shocks

Recommended Tools



1963-1972 C10/C15 Air Suspension Installation Instructions

Table of contents

Pages	2-6.....	Front CoolRide
Pages	7-9.....	Rear CoolRide
Pages	10.....	Shock Adjustment

THIS COOLRIDE KIT IS DESIGNED TO BE USED WITH OEM CONTROL ARMS AND REAR TRAILING ARMS.

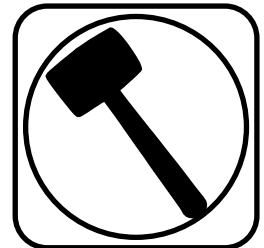
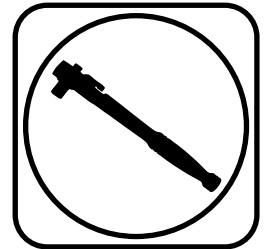


Part # 11331099

1963-1987 C10/C15 FRONT CoolRide Air Spring Kit for OEM Control Arms



Recommended Tools



1963-1987 C10/C15 Front CoolRide Air Spring Kit Installation Instructions

Table of contents

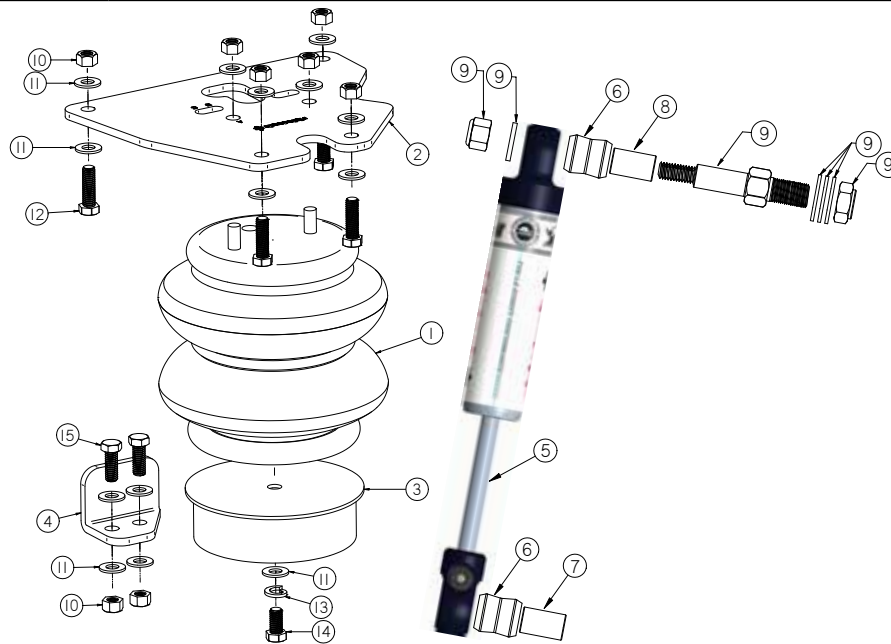
- Page 3..... CoolRide Kit Components & Hardware List
- Page 4..... Getting Started
- Page 4-6..... Installing CoolRide

THIS COOLRIDE KIT IS DESIGNED TO BE USED WITH OEM CONTROL ARMS AND RIDETECH HQ SERIES SHOCK KIT #11330501.



CoolRide Kit ComponentsIn the box

Item #	Part Number	Description	QTY
1	90006873	8" Diameter Air Spring	2
2	90000060	Upper Air Spring Plate	2
3	90000057	Lower Air Spring Cup Bracket	2
4	90000293	Steering Stop - Driver - Shown	1
4	90000294	Steering Stop - Passenger	1
5	986-10-035	3.85" Stroke HQ Series Shock	2
6	70011138	3/4" ID Shock Bushing	2
7	90002102	1/2" ID Bushing Sleeve	2
8	90002103	5/8" ID Bushing Sleeve	2
9	90001617	Shock Stud	2



CoolRide HardwareIn the box

Item #	Part Number	Description	QTY
UPPER AIR SPRING MOUNTING			
10	99372002	3/8-16 Nylok Nut	12
11	99373003	3/8 SAE Flat Washer	20
12	9931004	3/8-16 X 1 1/4" Hex Bolt	8
LOWER AIR SPRING PLATE			
11	99373003	3/8 SAE Flat Washer	2
13	99373005	3/8 Split Lock Washer	2
14	99371001	3/8-16 X 1" Hex Bolt	2

Item #	Part Number	Description	QTY
STEERING STOP			
10	99372002	3/8-16 Nylok Nut	4
11	99373003	3/8" SAE Flat Washer	8
15	99371003	3/8"-16 X 1" Hex Bolt	4



Getting Started.....

THIS KIT IS DESIGNED TO BE USED WITH OEM CONTROL ARMS AND RIDETECH HQ SERIES SHOCK KIT (#11050501). INSTALL THE SHOCK KIT IN CONJUNCTION WITH THIS COOLRIDE KIT.

1. Raise and support truck at a safe, comfortable working height. Let the front suspension hang freely
2. Remove coil spring and shock absorber. Refer to factory service manual for proper disassembly procedure.
3. Apply thread sealant to the air fitting and screw it into the top of the air spring.

Installing CoolRide



4. Hold the upper plate to the cross member as shown in the picture to the left and clamp to frame. Using the plate as a template drill 4 holes in the cross member.



5. Apply thread sealant to the air fitting and thread into the air spring. Remove the upper plate from the frame and place onto the studs on the top of the air spring. The holes are lettered; slide the plate to position B moving the air spring to the rear of the vehicle. Secure with 3/8" flat washers and 3/8"-16 nyloc nuts. Torque the nuts 15-20 ft-lbs. Route airline.



Installing CoolRide



6. Use a drill to drill the spot welds out of the OEM bumpstop/steering stop. Just drill through the mount. Do NOT drill through the control arm. We recommend cleaning the area up after removing it and paint it to keep the area from rusting.



7. Use the Image as a reference for placing the steering stop. It should be parallel with the rear edge of the control arm. You want the steering stop of the spindle to hit the steering stop before the steering box hits the internal stop. Use the stop as a template to drill (2) 3/8" holes in the control arm. Attach the stop using (2) 3/8"-16 x 1" bolts, (4) 3/8" flat washers, & (2) 3/8"-16 nylok nuts. Torque to 30 ft-lbs.



8. Bolt the lower bracket to the air spring using a 3/8"-16 x 3/4" hex bolt, 3/8" split lock washer and flat washer. Torque the bolts 15-20 ft-lbs.



Installing CoolRide



9. Attach the air spring assembly to the frame using 3/8" x 1 1/4" bolts, Nylok nuts and flat washers supplied. The lower mount will simply sit in the coil spring pocket. It does not need to be attached. Bolt the frame hardware to 30 ft-lbs.

10. Replace the factory shock, with Ridetech HQ Series Shock supplied in this kit. This kit includes a new shock stud for the frame.

11. Check air spring clearance with the caliper at full lock. The air spring should be about 5" tall at ride height.

DO NOT ALLOW THE AIR SPRING TO RUB. THIS WILL DAMAGE THE AIR SPRING AND IS NOT A WARRANTABLE SITUATION.



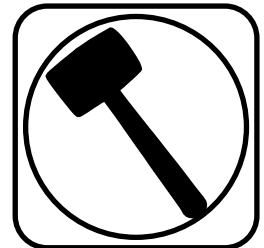
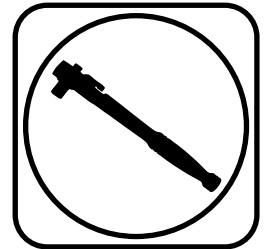
**Installation
Instructions**



Part # 11334010

1963-1972 C10/C15 Rear CoolRide Kit for OEM Trailing Arms w/HQ Series Shocks

Recommended Tools



1963-1972 C10/C15 Rear CoolRide Kit

Installation Instructions

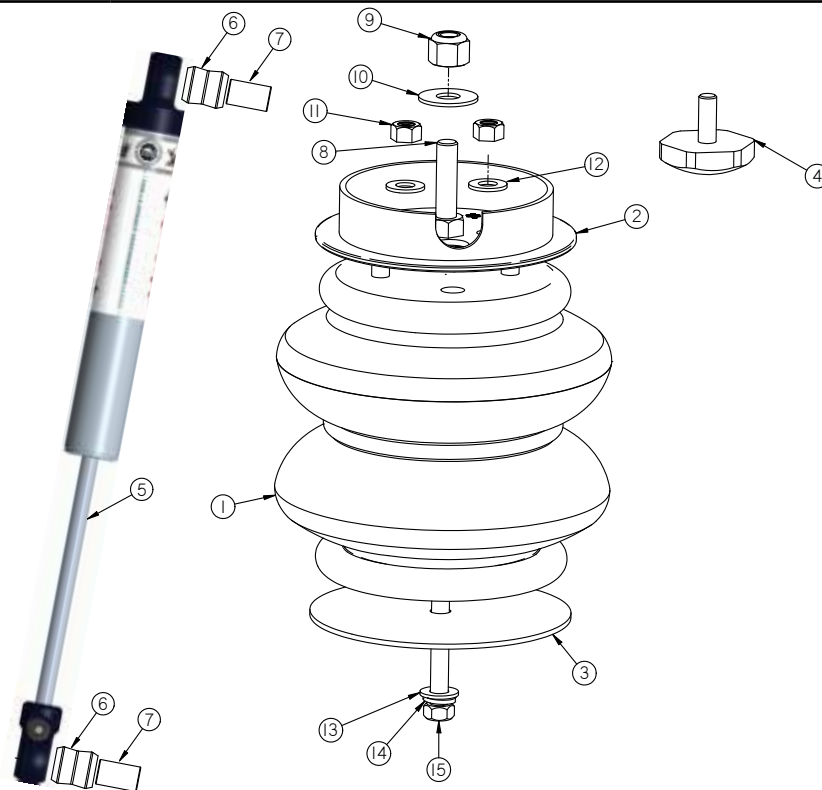
Table of contents	
Page 8.....	CoolRide Kit Components & Hardware List
Page 9.....	Getting Started
Page 9.....	Installing CoolRide
Page 10.....	Shock Adjustment

THIS COOLRIDE KIT IS DESIGNED TO BE USED WITH OEM TRAILING ARMS.



CoolRide Kit ComponentsIn the box

Item #	Part Number	Description	QTY
1	90006781	6.5" Diameter Air Spring	2
2	90000056	Upper Air Spring Cup Bracket	2
3	90000070	Lower AirSpring Plate	2
4	90001082	Short Bumpstop	2
5	986-10-031	5.76" Stroke HQ Series Shock	2
6	70011138	3/4" ID Shock Bushing	2
7	90002102	1/2" ID Shock Sleeve	2



CoolRide Hardware....In the box

Item #	Part Number	Description	QTY	Item #	Part Number	Description	QTY
UPPER AIR SPRING MOUNTING				LOWER AIR SPRING PLATE			
8	99435003	7/16"-14 x 2" Stud	2	13	99373003	3/8" Fender Washer	2
9	99432001	7/16"-14 Nylok Nut	2	14	99373005	3/8" Split Lock Washer	2
10	99433002	7/16" SAE Flat Washer	2	15	99371009	3/8"-16 X 4" Hex Bolt	2
11	99372002	3/8-16 Nylok Nut	4				
12	99373003	3/8 SAE Flat Washer	4				



Getting Started.....

THIS KIT IS DESIGNED TO BE USED WITH OEM CONTROL ARMS AND RIDETECH HQ SERIES SHOCK KIT (#11330701). INSTALL THE SHOCK KIT IN CONJUNCTION WITH THIS COOLRIDE KIT.

1. Raise and support truck at a safe, comfortable working height. Let the front suspension hang freely
2. Remove coil spring and shock absorber. Refer to factory service manual for proper disassembly procedure.
3. Apply thread sealant to the air fitting and screw it into the top of the air spring.

Installing CoolRide

4.



4. Place the upper mount over the studs on the air spring. Secure with two 3/8" Nylok nuts and flat washers. Torque the nuts 15-20 ft-lbs. Screw the 7/16 x 2" stud into the nut in the bottom of the bracket.

5. Bolt the assembly to the upper coil spring pocket with the stud sticking through the frame. Use a 7/16" nut and flat washer to fasten the assembly. Tighten the nut enough to hold the airspring/cup solidly in place. Image "A" shows the air spring in position.

6. Bolt the bottom of the air spring to the trailing arm using a 3/8" x 4" bolt, fender washer and lock washer. The lower air spring plate must be installed between the air spring and the trailing arm. Torque the bolt 15-20 ft-lbs.

7. Double check air spring clearance though full suspension travel.

8. Ride height on this air spring is approximately 5".

9. Install the Ridetech shock in place of the OEM shock. Torque the shock hardware to xx ft-lbs.





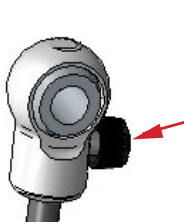
Shock Adjustment

Shock adjustment 101- Single Adjustable

Rebound Adjustment:

How to adjust your new shocks

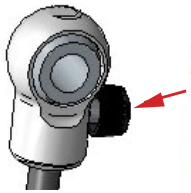
The rebound adjustment knob is located on the top of the shock absorber protruding from the eyelet or stud top. You must first begin at the ZERO setting, then set the shock to a street setting of 12 or handling setting of 8.



-Begin with the shocks adjusted to the ZERO rebound position (full stiff). Do this by rotating the rebound adjuster knob clockwise until it stops.

-Now turn the rebound adjuster knob counter clockwise 12 clicks. This sets the shock at 12 for a street setting. If you are after a handling setting only go 8 clicks.

Take the vehicle for a test drive.



-if you are satisfied with the ride quality, do not do anything, you are set!

-if the vehicle is too soft increase the damping effect by rotating the rebound knob clockwise 3 additional clicks.

-If the vehicle is too stiff rotate the rebound adjustment knob counter clock wise 2 clicks and you are set!

Take the vehicle for another test drive and repeat the above steps until the ride quality is satisfactory.

Note:

One end of the vehicle will likely reach the desired setting before the other end. If this happens stop adjusting the satisfied end and keep adjusting the unsatisfied end until the overall ride quality is satisfactory.