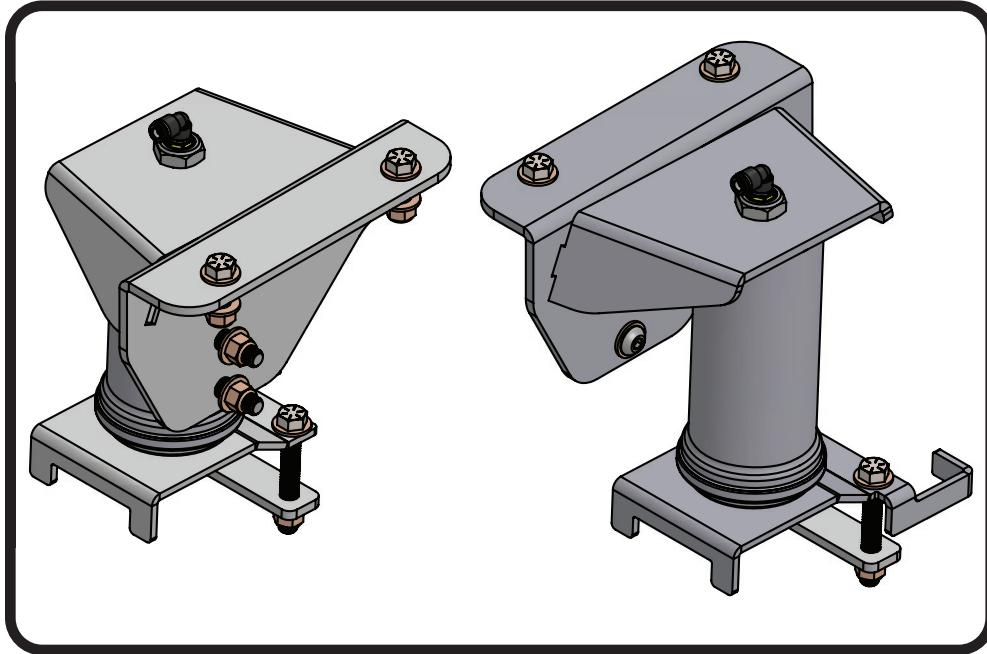


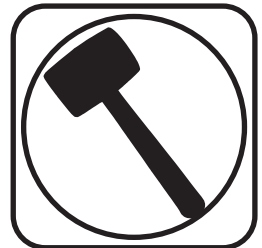


Part # 11384099

1999-2007 GM Silverado/Sierra 1500 Helper Air Springs for Ridetech Lowering Kit



Recommended Tools



1999-2006 Silverado Helper Air Springs Installation Instructions

Table of contents

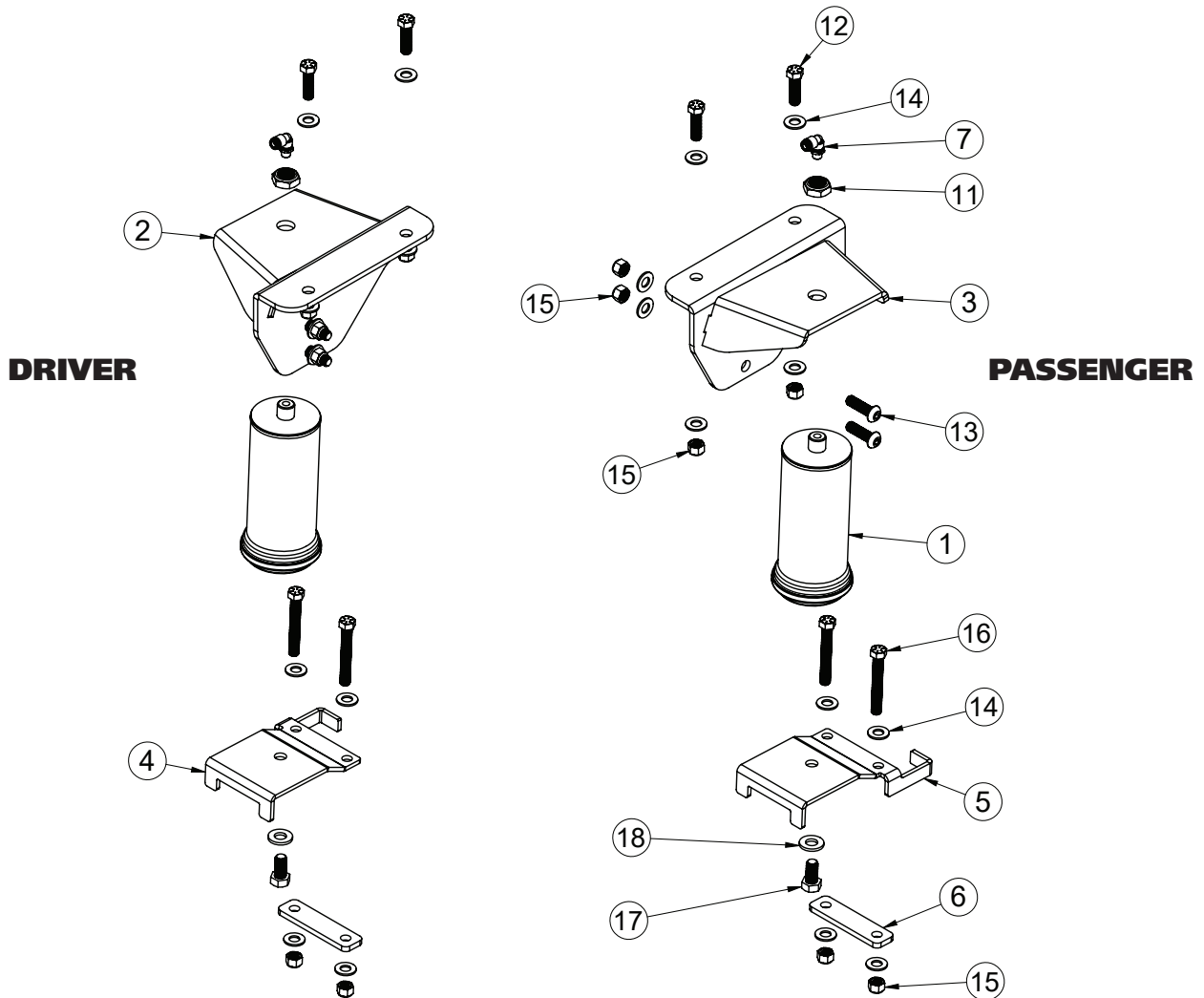
- Page 2..... Kit Components
- Page 3..... Hardware List & Getting Started
- Page 4-7..... Installation

THIS AIR SPRING KIT IS DESIGNED TO BE USED WITH RIDETECH'S STREETGRIP C-NOTCH KIT.



Air Spring Kit ComponentsIn the box

Item #	Part Number	Description	QTY
1	90007012	5" Diameter Rolling Sleeve Air Spring	2
2	90003256	Driver Upper Frame Bracket	1
3	90003257	Passenger Upper Frame Bracket	1
4	90003251	Driver Spring Bracket	1
5	90003252	Passenger Spring Bracket	1
6	90003253	Spring Clamp Plate	2
7	31952201	1/8" NPT x 1/4" Tube 90 Degree Fitting	2
8	31954400	1/4" Tube T fitting	1
9	31957005	1/4" Tube Schrader Valve	1
10	31940003	1/4" Air Line by foot	8





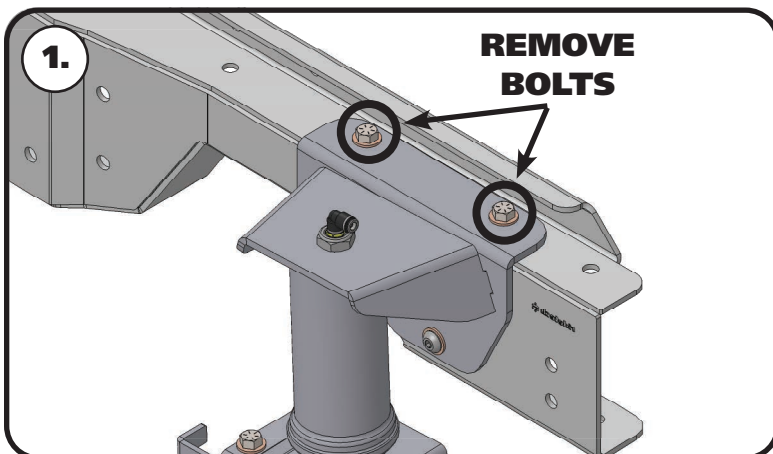
Hardware ListIn the box (Kit# 99010173)

The Hardware Kit contains bags to help aid in selecting the correct hardware for the component being installed. The hardware list shows how the hardware is bagged.

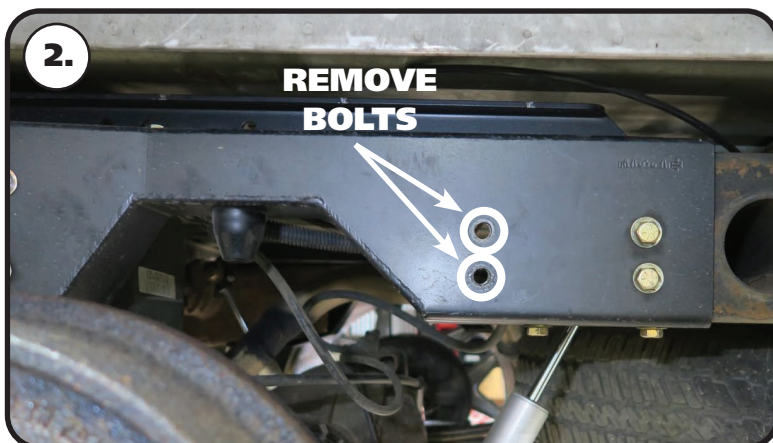
Item #	Part #	Description	QTY	Item #	Part #	Description	QTY
AIR SPRING TO UPPER MOUNT				LOWER MOUNT TO LEAF SPRING			
11	99752004	3/4"-16 Thing Jam Nut	2	14	99433005	7/16" SAE Flat Washer	8
UPPER MOUNT TO C NOTCH				AIR SPRING TO LOWER MOUNT			
12	99431022	7/16"-14 x 1 1/2" Hex Bolt	4	15	99432010	7/16"-14 Nylok Nut	4
13	99431032	7/16"-14 x 1 1/2" Button Head	4	16	99431025	7/16"-14 x 3" Hex Bolt	4
14	99433005	7/16" SAE Flat Washer	12	17	99501052	1/2"-13 X 1" Hex Bolt	2
15	99432010	7/16"-14 Nylok Nut	8	18	99503014	1/2" SAE Flat Washer	2

Getting Started.....

This kit is designed to be used with the Ridetech 99-06 Silverado rear lowering kit. The rear lowering kit needs to be installed before the air spring kit can be installed.



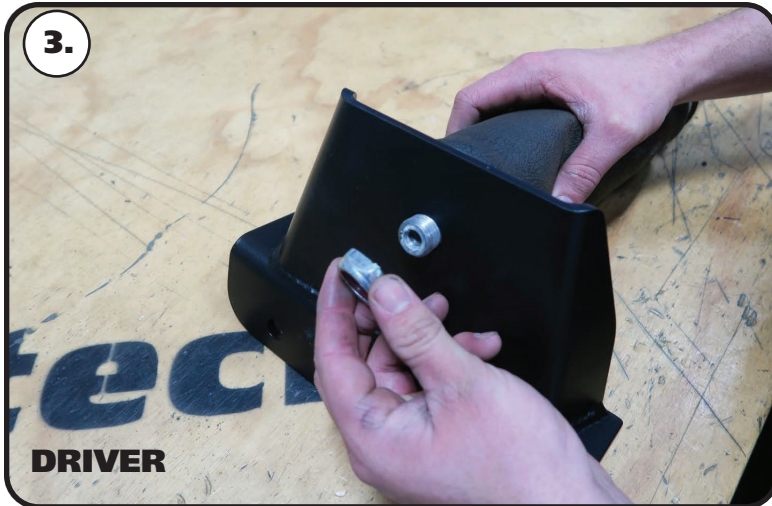
1. The upper mount attaches to the c-notch using existing bolt holes of the c-notch. (4) bolt will need to be removed from the c-notches. **Images 1 & 2** illustrates the 4 bolts that need to be removed to install the upper air spring bracket. Remove the 2nd and 3rd bolt from the rear of the c-notch.



2. Remove the 2 bolts that are right behind the notch.



Installation



3. Thread the 3/4"-16 jam nut on the upper stud of the air spring and tighten with a wrench. **DO NOT USE AN IMPACT TO TIGHTEN.**



4. Put thread sealant on the 90 degree air fittings and thread them into the top of each air spring and tighten.



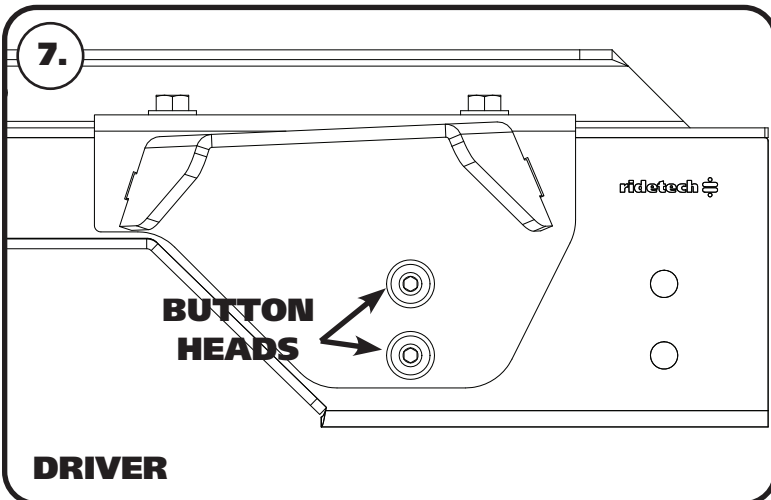
5. Attach the lower air spring mount to the bottom of the air spring using a 1/2"-13 x 1" bolt, 1/2" split lock washer, & 1/2" SAE flat washer. **DO NOT TIGHTEN AT THIS TIME.**



Installation



6. Insert the air spring/brackets into position. Align the mounting holes with the 4 bolts removed in **Steps 1 & 2**.



7. Insert A 7/16"-14 x 1 1/2" button head in each of the side frame holes. Install a 7/16" flat washer & 7/16"-14 nylok nut on each bolt. Do not tighten until the top bolts have been installed.



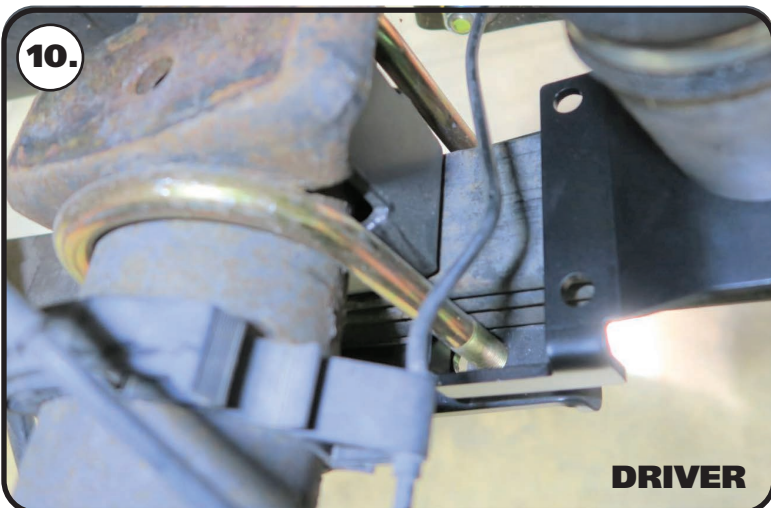
8. Install a 7/16" flat washer on each of (2) 7/16"-14 x 1 1/2" bolts. Insert the bolts/washers in the 2 top holes.



Installation



9. ON THE DRIVERS SIDE, MAKE SURE THE REAR BOLT IS INSERTED THROUGH THE BRAKE LINE BRACKET. Install a 7/16" flat washer & 7/16"-14 nylok nut on each bolt. Tighten the upper air spring bracket hardware to 50 ft-lbs.



10. Use Images 10-13 as a reference for attaching the lower air spring bracket. The bolt holes need to be toward the axle with the forward "hook" hooking the u-bolt. The "hook" will help with positioning of the lower mount. The rear of the mount has 2 tabs that will sit on each side of the leaf spring.



11. Install a 7/16" flat washer on each of (2) 7/16"- 14 x 3" bolts. Insert the bolts/washers in the forward 2 holes of the lower bracket.



Installation



12. Slip the spring clamping plate on the threads of the 2 bolts sticking down past the leaf spring. Install a 7/16" flat washer & 7/16"-14 nylok nut on each bolt. Tighten the hardware to 50 ft-lbs.



13. Tighten the lower 1/2" air spring bolt using a wrench.

14. Establish a location for the inflation fitting and run the air lines. The air springs will get hook together with the supplied "t" fitting. Cut the air line with a razor blade, making sure the cut is straight. Keep the airline at least 6" from any heat source.

ALWAYS KEEP A MINIMUM OF 5 PSI IN THE AIR SPRINGS TO PREVENT DAMAGE TO THE AIR SPRINGS.