



Part # 11390201(7.5" Axle)/**11390202**(8.5" Axle) - 82-03 GM S10/S15 HQ CoilOver System

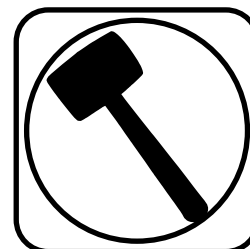
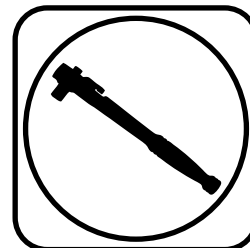
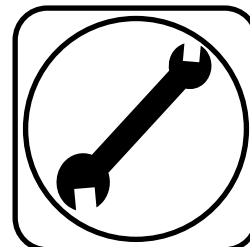
Front Components:

11399959 Front TruTurn Control Arm System
11393510 Front CoilOver
11399120 Front SwayBar

Rear Components:

11397198/11397199 Rear StrongArm System
8.5" Ring Gear/7.5" Ring Gear
11396510 Rear CoilOver

Recommended Tools



82-03 S10/S15 HQ CoilOver System Installation Instructions

Table of contents

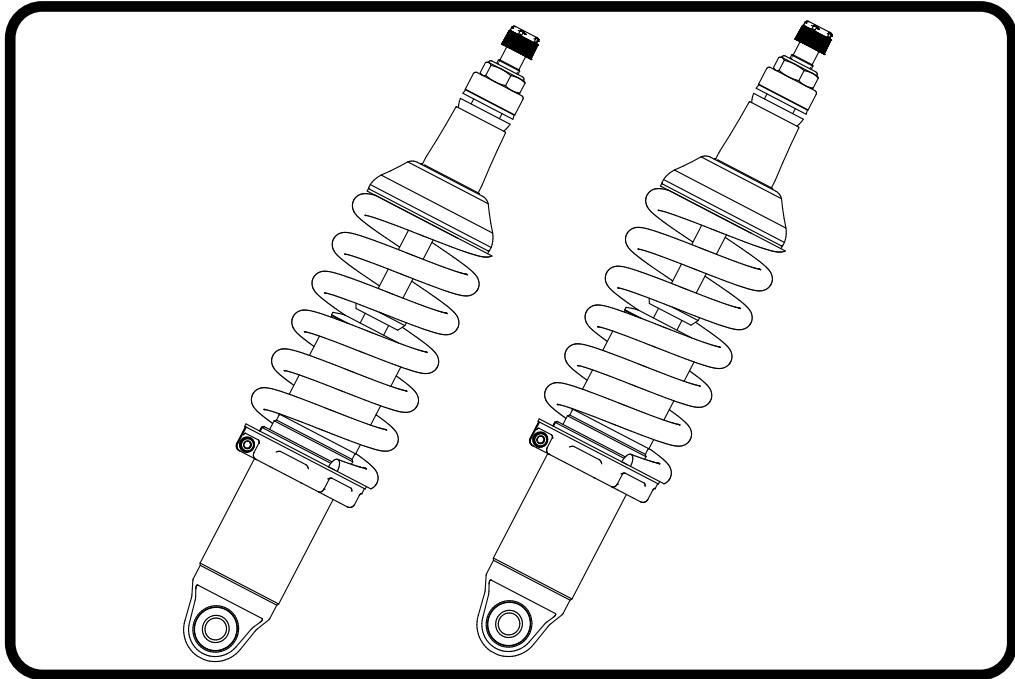
Pages 2-6..... Front CoilOvers
Pages 7-17.....Front TruTurn Control Arm System
Pages 18-20..... Front SwayBar
Pages 21-36..... Rear Wishbone Kit
Pages 37-38.....Rear CoilOvers
Pages 39-40..... Assembly and Adjusting

For piece of mind, we recommend Ridetech Brace Kit #11397299 on high horsepower or V8 swapped trucks.





Part # 11393510 - 1982-2003 S10/S15 HQ Front CoilOvers



Recommended Tools



1982-2003 S10/S15 HQ Series Front CoilOvers

Installation Instructions

Table of contents

- Page 3..... Included components
- Page 4..... CoilOver Assembly
- Page 5..... CoilOver Installation
- Page 6..... CoilSpring Adjusting

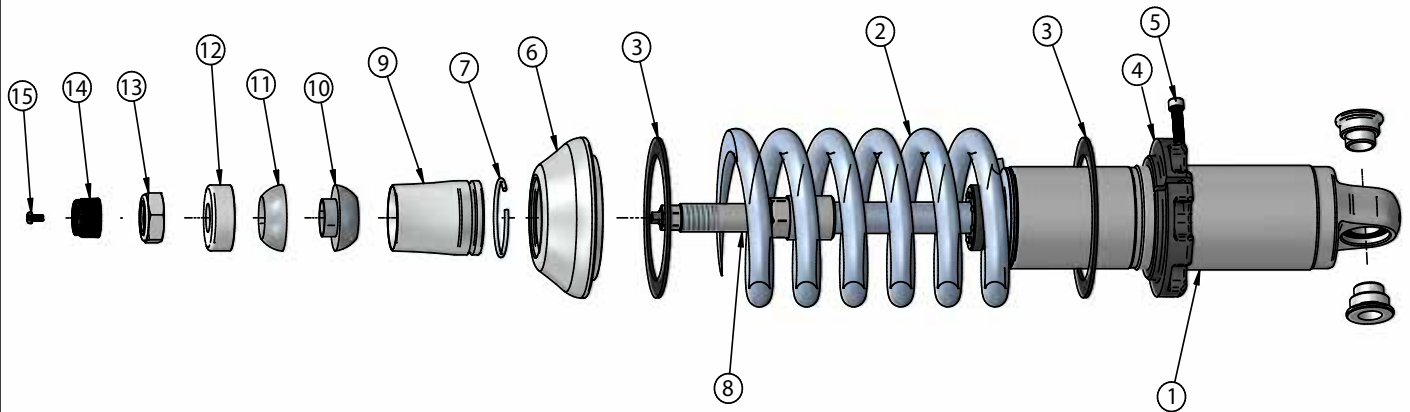
CoilOver Dimensions:

Center of bearing to Stud Mounting Surface:	
Compressed:	9.73"
Ride Height:	11.80"
Extended:	13.33"



Major ComponentsIn the box

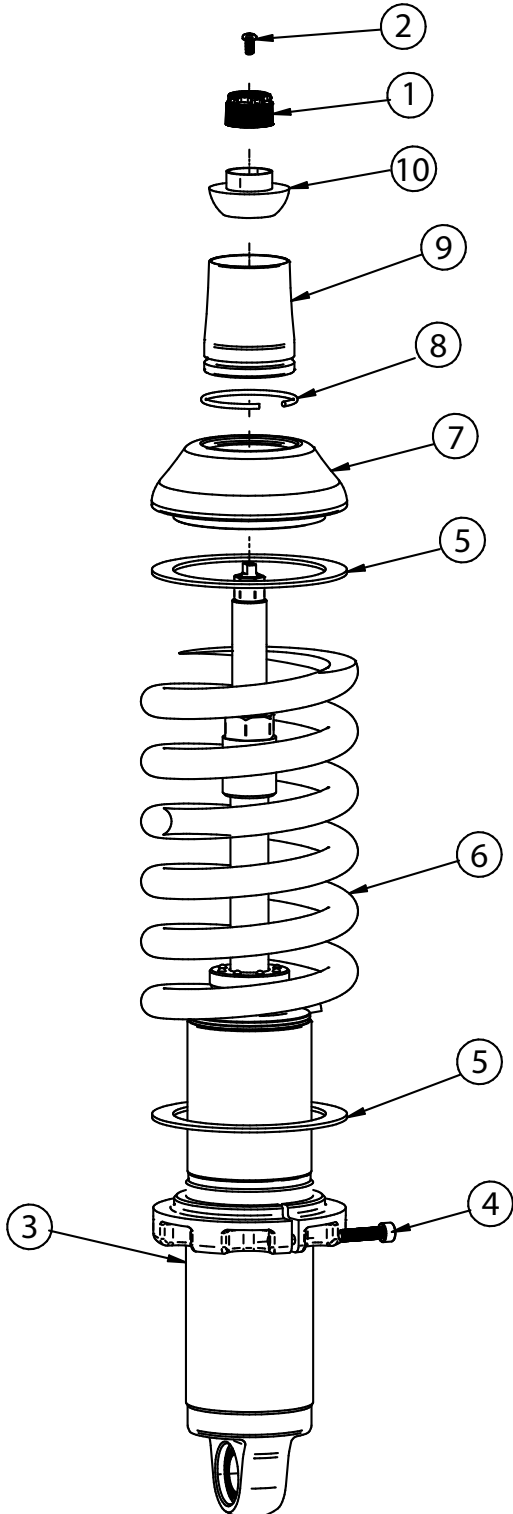
Item #	Part #	Description	QTY
1	982-10-803	3.6" Stroke HQ Series Shock	2
2	59080750	CoilSpring 8" 750lb	2
3	70010828	Delrin Spring Washer	4
4	803-00-199(kit)	Lower Spring Adjuster Nut (803-00-199 kit)	2
5	803-00-199(kit)	Adjuster Nut Locking Screw (803-00-199 kit)	2
6	90002070	Dropped Upper CoilSpring Retaining Plate	2
7	803-00-199(kit)	CoilSpring Plate Retaining Ring (803-00-199 kit)	2
8	90009988(kit)	2.00" Stud Adjuster Assembly	2
9	90002312	2.00" Stud Top Base	2
10	90001904	Delrin Ball Lower Half	2
11	90001903	Delrin Ball Top Half	2
12	90001902	Delrin Ball Upper Cap	2
13	99562003	9/16-18" Nylok Nut	2
14	210-35-120-0	Shock Adjuster Knob	2
15	90009969	Adjuster Knob Retaining Screw	2
	90001994	5/8" ID Bearing (installed in shock body)	2
	90001995	Bearing Snap Ring (installed in shock body)	4





CoilOver Assembly

1.

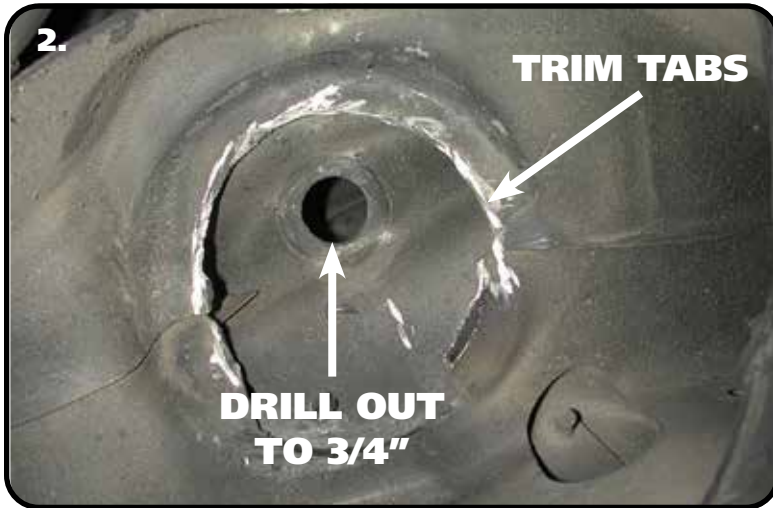


1. To Assemble the CoilOver you need to:
 - a. Remove Screw (2) from center of Adjustment Knob (1) and remove Adjustment Knob.
 - b. Remove Nylok Nut, Delrin Upper Cap, Delrin Upper and Lower Balls, along with the base from the Coliover stud.
 - c. Thread Adjuster Nut (3) onto the CoilOver body. Once it is threaded on the shock body, lightly thread in the locking screw (4) into the Adjuster Nut.
 - d. Install a Delrin Spring Washer (5) onto the Adjuster Nut.
 - e. Slide the CoilSpring (6) onto the CoilOver.
 - f. Install another Delrin Spring Washer (5) on top of the CoilSpring.
 - g. Install the Upper CoilSpring Plate (7) onto the CoilSpring.
 - h. Install the CoilSpring Retaining Ring (8) onto the Stud Top Base (9). It fits into the groove in the base.
 - i. Slide the Stud Top Base onto the shock until it bottoms out on the stud. It may be necessary to thread the Adjuster Nut down the shock body (to lower the spring) if the base will not slide all the way down onto the stud.
 - k. Slide the Lower Delrin Ball (10) (it has the collar sticking up around the center hole) on to the Stud Top.

Repeat on second CoilOver.

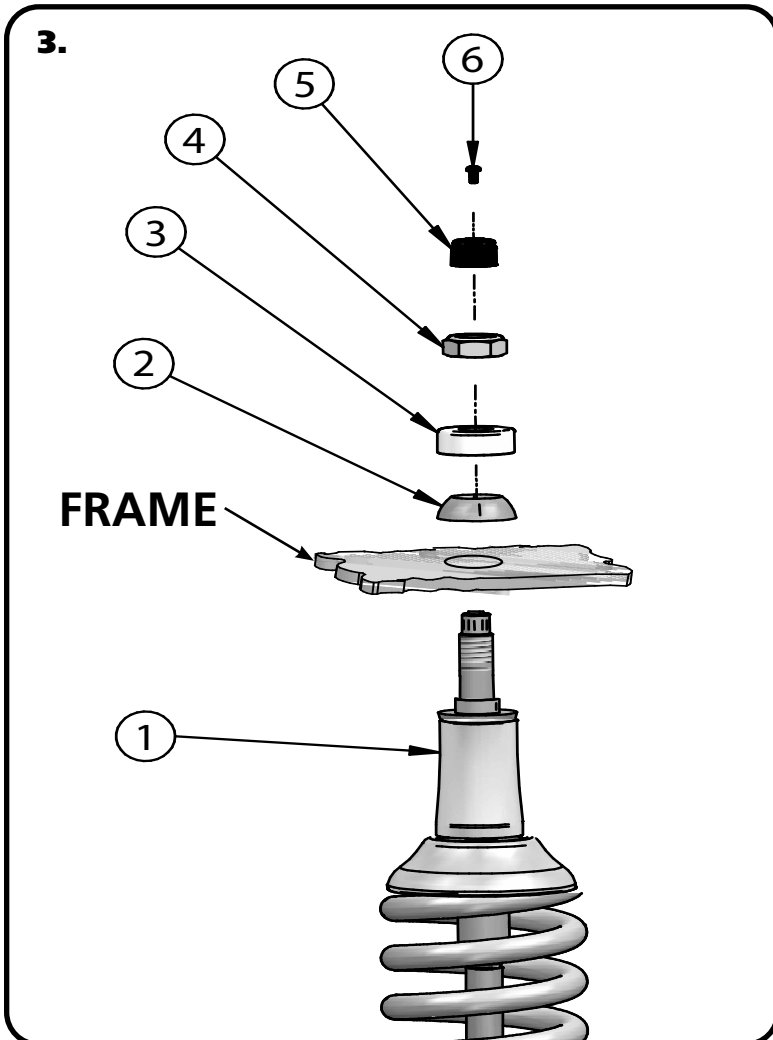


CoilOver Installation



2. The factory shock hole will need to be drilled out to 3/4", this can best be done using a Unibit. The CoilSpring retaining tabs will need to be trimmed to keep them from hitting the CoilOver Spring Retainer.

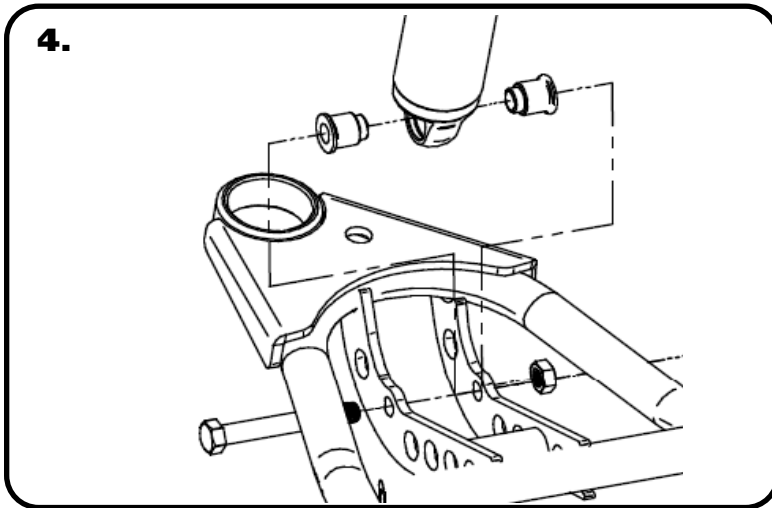
Note: It may be helpful to go ahead and install the lower StrongArms and CoilOvers to determine exactly what needs to be removed.



3. With the CoilOver(1) assembled, it is time to bolt them into the car. Insert to CoilOver Stud Top through the factory hole in the frame. Install the Upper Delrin Ball(2) onto the shock stud with the flat side facing the frame. Next, Install the Delrin Ball cap (3) onto the shock stud with the Concave side facing the Upper Delrin ball. Install the Nylok Nut(3) onto the shock stud and lightly tighten. The needs to be some resistance on the ball but not tight enough that it will not rotate freely. Reinstall the adjuster knob(5) using the screw (6) that was removed during step 1.



CoilSpring Adjusting



4. Install a spacer on each side of the lower CoilOver. Slide the shock with the spacers installed into the lower control arm. Raise the arm up to line up the holes in the bushing with the 1/2" hole in the control arm straps and hold it in place while you install the 1/2" x 3 1/2" bolt, 1/2" flat washer, and 1/2" Nylok nut. Tighten the upper and lower shock bolts.

Ride Height

We have designed most cars to have a ride height of about 1 1/2" lower than factory. To achieve the best ride quality & handling, the shock absorber needs to be at 40-60% overall travel when the car is at ride height. This will ensure that the shock will not bottom out or top out over even the largest bumps. Measuring the shock can be difficult, especially on some front suspensions. Measuring overall wheel travel is just as effective and can be much easier. Most cars will have 4-6" of overall wheel travel. One easy way to determine where you are at in wheel travel is to take a measurement from the fender lip (center of the wheel) to the ground. Then lift the car by the frame until the wheel is just touching the ground, re-measure. This will indicate how far you are from full extension of the shock. A minimum of 1.5" of extension travel (at the wheel) is needed to ensure that the shock does not top out. If you are more than 3" from full extension of the shock then you are in danger of bottoming out the shock absorber.

Adjusting Spring Height

When assembling the CoilOver, screw the spring retainer tight up to the spring (0 preload). After entire weight of car is on the wheels, jounce the suspension and roll the car forward and backward to alleviate suspension bind.

- If the car is too high w/ 0 preload then a smaller rate spring is required. Although threading the spring retainer down would lower the car, this could allow the spring to fall out of its seat when lifting the car by the frame.
- If the car is too low w/ 0 preload, then preload can then be added by threading the spring retainer up to achieve ride height. On 2.6" - 4" stroke shocks, up to 1.5" of preload is acceptable. On 5-7" stroke shocks, up to 2.5" of preload is acceptable. If more preload is needed to achieve ride height a stiffer spring rate is required. Too much preload may lead to coil bind, causing ride quality to suffer.



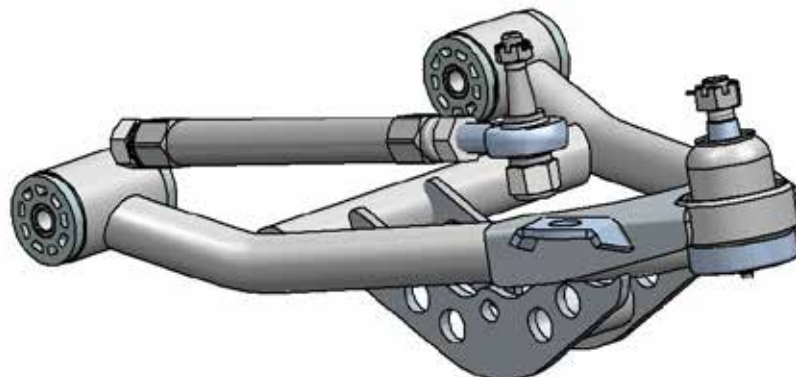
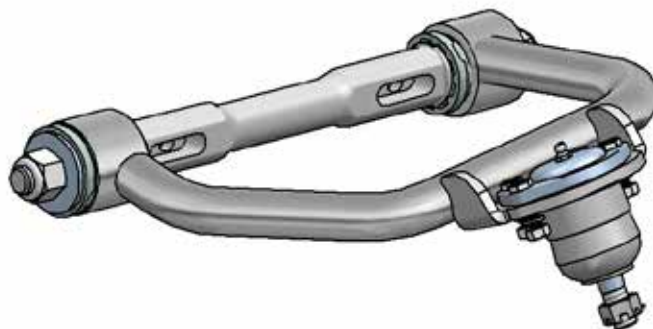
350 S. St. Charles St. Jasper, In. 47546
Ph. 812.482.2932 Fax 812.634.6632
www.ridetech.com



Part # 11329599 – G Body /11399599 – S10 78-88 GM “G” Body/82-03 S10 Tru-Turn Suspension Package

Front Components:

1	11323695	Upper Strong Arms
1	11322895	Lower Strong Arms
1	11329595/11399595	Tru Turn System





Upper StrongArm Installation



350 S. St. Charles St. Jasper, In. 47546
Ph. 812.482.2932 Fax 812.634.6632
www.ridetech.com

Part # 11323695 78-88 GM "G" Body/82-03 S10 Upper StrongArms

Components:

1	90002379	Drivers side arm
1	90002380	Passenger side arm
2	90000913	Upper ball joint – Proforged # 101-10020
2	90003375	Caster Adjustable Cross shaft
2	70010826	Delrin Bushing – no ledge
2	70010827	Delrin Bushing – small ledge
4	70010759	Delrin Bushing – outer
4	90002737	Cross shaft T-washer
4	70011955	Zero Offset Caster Slugs
2	90003934	WASHER; 1.70OD
2	90003933	WASHER; 1.45OD
4	99622005	5/8"-18 Lock Nut

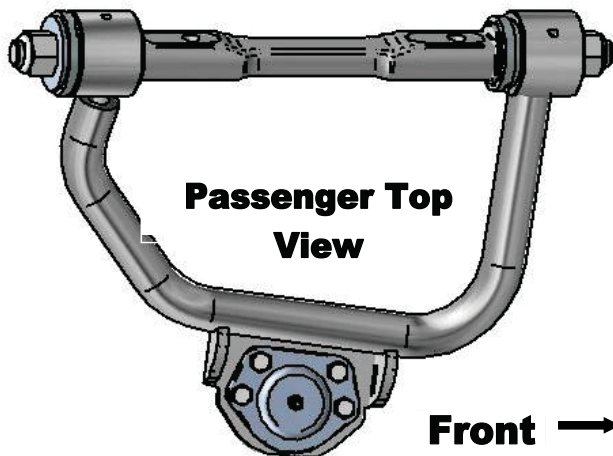
Hardware:

4	99433004	7/16" USS Flatwasher	Cross shaft to Frame
4	99431009	7/16"-14 x 2 1/2" Bolt	Cross shaft to Frame
4	99432001	7/16"-14 Nylok Nut	Cross shaft to Frame



Upper StrongArm Installation

STRONGARMS



1. Fasten the upper arm to the frame using the supplied 7/16" hardware. Reinstall the current alignment shims, but **vehicle must be realigned**. Torque to 55 ft-lbs.

2. Drop ball joint down through upper arm. Slide ball joint boot over stud, then place boot retainer over the boot.

Torque Specs:

Upper Ball joint - 61 ftlbs and tighten to line up cotter pin.

3. Fasten the ball joint to the spindle w/ the new castle nut and cotter pin supplied.

4. Tighten the cross shaft nuts enough to create drag on the delrin bushings, the arm should still move.

NOTE: DUE TO THE LONGER SHANK OF THE BALL JOINT, THE BALL JOINT BOOT IS DESIGNED TO SEAL ON THE BALL JOINT SHANK. IT DOES NOT SEAL AGAINST THE SPINDLE. A SEGMENT OF EXPOSED BALL JOINT STEM IS NORMAL.

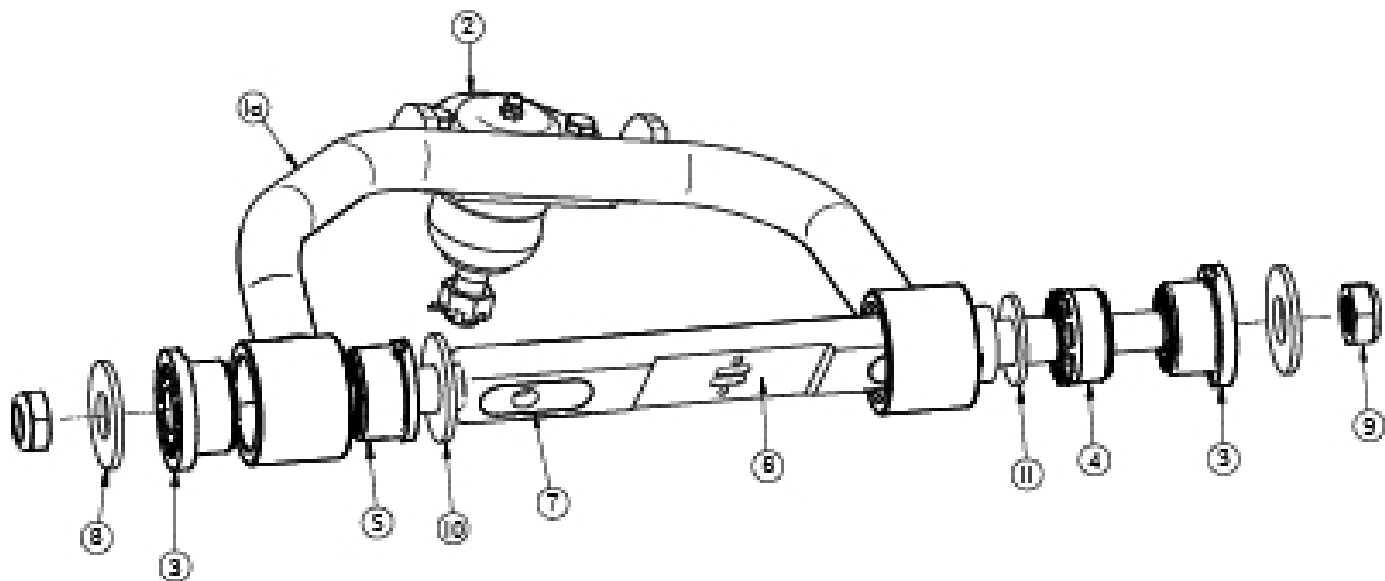




Upper StrongArm Installation

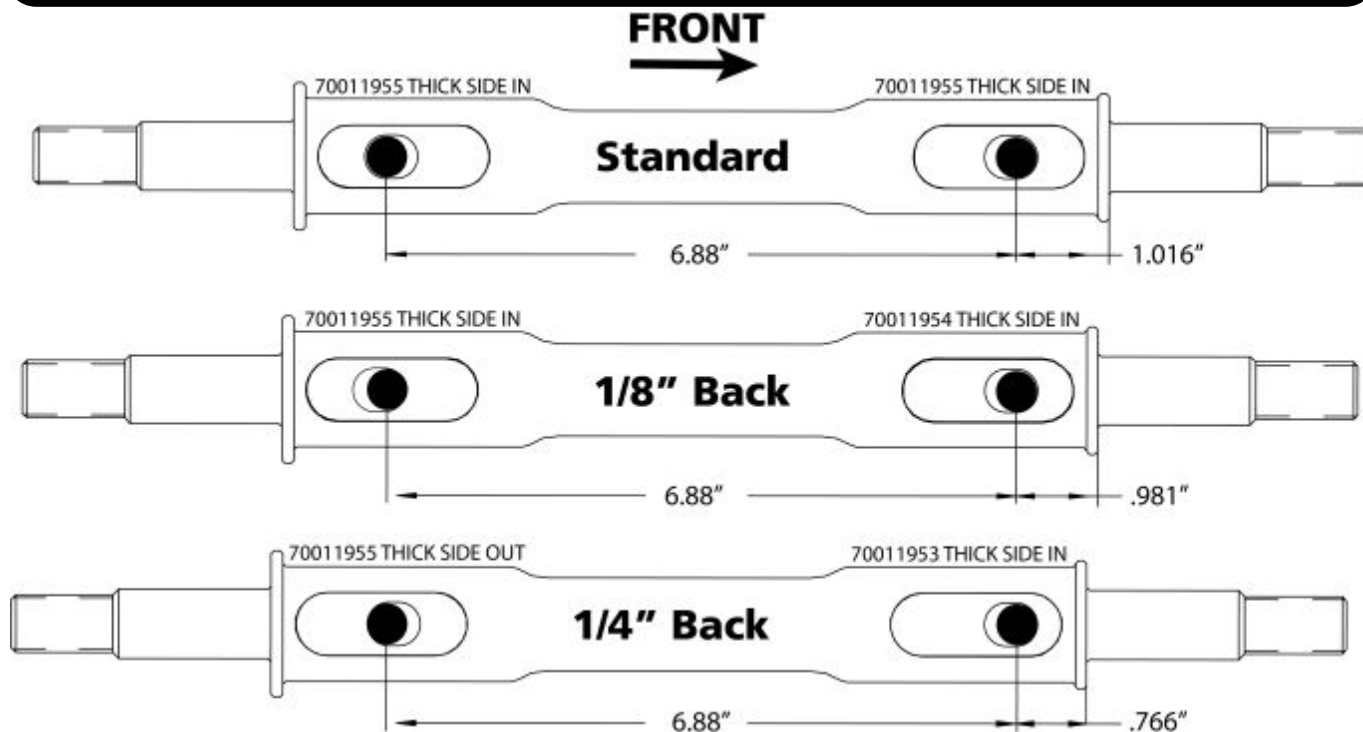
Driver Side – Top view

Item #	Part #	Description	Qty.
1a.	90002379	Driver Upper Control Arm - SHOWN	1
1b.	90002380	Passenger Upper Control Arm - SHOWN	1
2	90000913	Upper Ball Joint	2
3.	70010759	Delrin Bushing – 2” OD Ledge	4
4.	70010826	Delrin Bushing – no ledge	2
5.	70010827	Delrin Busing – 1/5” PD Ledge	2
6.	90003375	Caster Adjustable Cross shaft	2
7.	70011955	Caster Slug	4
8.	90002737	T-Washer	4
9.	99622005	5/8 – 18 Toplock Jam Nut	4
10.	90003934	WASHER; 1.70OD	2
11.	90003933	WASHER; 1.45OD	2





Upper StrongArm Installation



These StrongArms come equipped with a changeable caster slug setup. This allows you to add or remove caster from the front suspension, if desired. The caster slugs that come supplied in the kit are setup to be centered. The caster slugs allow you to add or remove caster without having to use a stack of shims. If more or less caster is desired, optional slugs can be purchased from Ridetech or your Ridetech dealer. The diagram above will help you determine what caster slug you may need if trying to achieve more caster. It will also show you how to position the caster slug.

STANDARD CAATER SKUGS INCLUDED IN KIT = 4 OF 70011955

CASTER SLUGS REQUIRED TO GET MORE CASTER

1/8" BACK = REQUIRES 2 OF 70011954

1/4" BACK = REQUIRES 2 OF 70011953

Caster Explained:

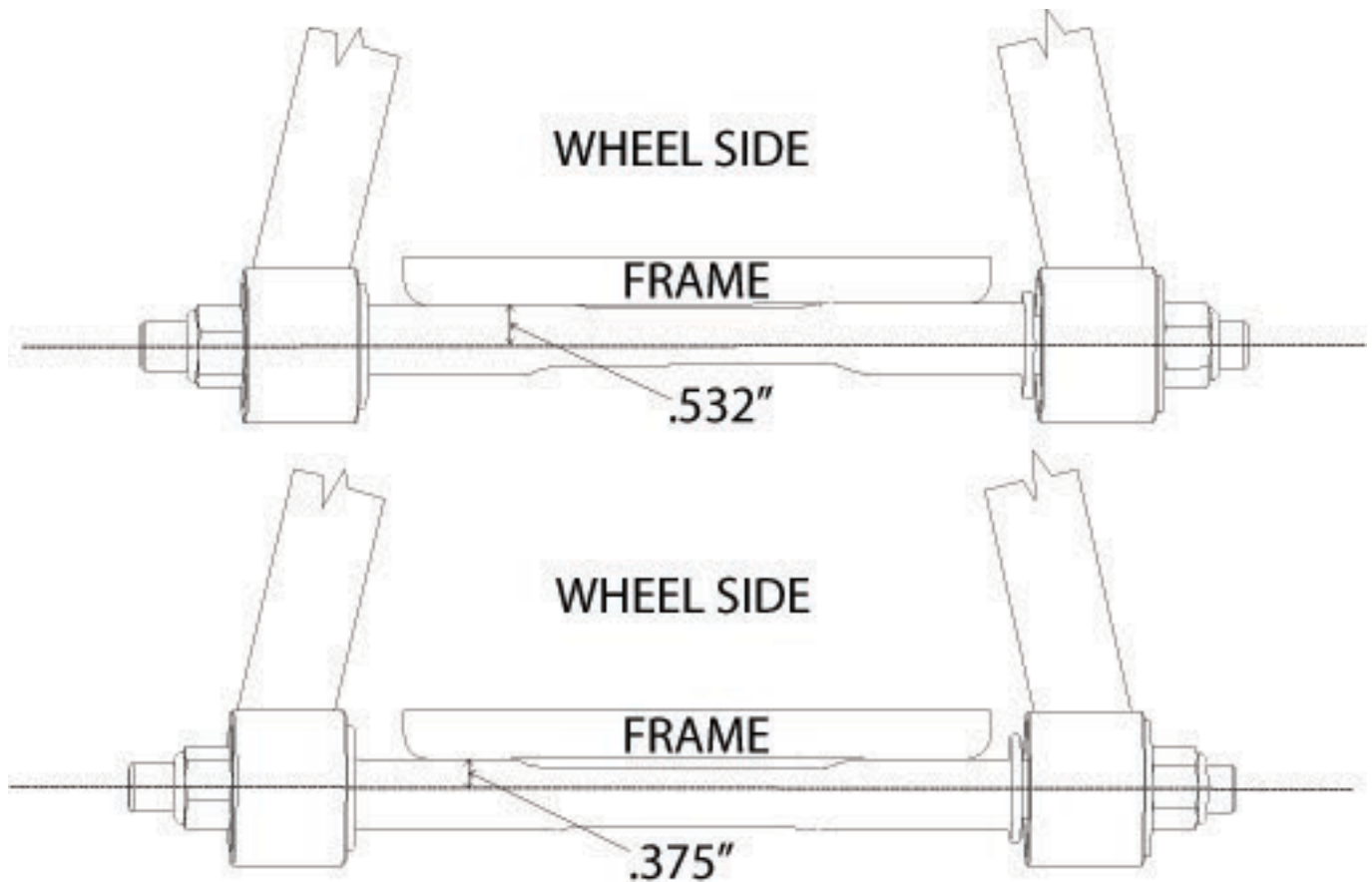
To understand caster you need to picture an imaginary line that runs through the upper ball joint and extends through the lower ball joint. From the side view the imaginary line will tilt forward or backward. The tilting of this imaginary line is defined as caster.

Caster is measured in degrees by using a caster camber gauge. If the imaginary line described above tilts towards the back of the car, at the top, then you will have positive caster. If the imaginary line tilts forward then you would have negative caster.

Positive caster provides the directional stability in your car. Too much positive caster will make the steering effort difficult. Power steering will allow you to run more positive caster. Negative caster requires less steering effort but can cause the car to wander down the highway.



Upper StrongArm Installation



Offset Upper Cross Shaft

The cross shaft that is used in the upper control arm is offset. The offset combined with the caster slug option allows you to achieve the alignment setting you desire with minimal shims. To change the direction that the Icon faces, simply spin the cross shaft in the control arm.

If you are after an aggressive **Track or Autocross Alignment**, bolt the control arm to the frame bracket with the arm offset to the inside of the car (like the top illustration). The Ridetech Icon will be facing the engine.

If a **Street Alignment** is desired, bolt the control to the frame bracket with the arm offset to the outside of the car (like the bottom illustration). The Ridetech Icon will be facing the wheel.



Lower StrongArm Installation

Part # 11322895

78-88 GM "G" Body/82-03 S10 Lower StrongArms
For Use w/ Shockwaves or CoilOvers

Components:

1	90002377	Driver side lower arm
1	90002378	Passenger side lower arm
2	90000896	Ball joint – Proforged # 101-10049
2	90000572	Inner bushing sleeve -12mm x 2.375" - <i>installed in control arm</i>
2	90000573	Inner bushing sleeve -12 mm x 3.00"
2	90001094	Inner bushing sleeve – 14mm x 3.00" - <i>installed in control arm</i>
8	70010759	Delrin bushing half
4	90002062	Aluminum spacer – Shock to lower arm

Hardware: The hardware kit includes hardware for both the G-Body and the S10, be sure to use the correct hardware for your application.

2	99501005	½"-13 x 3 1/2" Gr.8 bolt	Shockwave to lower arm - BOTH
2	99502009	½"-13 Nylok nut	Shockwave to lower arm - BOTH
4	99503014	½" SAE Flat Washer	Shockwave to lower arm - BOTH
2	99121001	M12-1.75 X 90mm Bolt	StrongArm to Frame - BOTH
2	99121002	M12-1.75 X 110mm Bolt	StrongArm to Frame – G-BODY
4	99122001	M12-1.75 Nylok nut	StrongArm to Frame – (4) G-BODY/ (2)2 S10
4	99123002	M12 Flat Washer	StrongArm to Frame – (4) G-BODY/ (2)2 S10
2	99141003	M14-2.0 x 100mm Hex Bolt	StrongArm to Frame – S10
2	99142002	M14-2.0 Nylok Nut	StrongArm to Frame – S10
2	99143001	M14 Flat Washer	StrongArm to Frame – S10



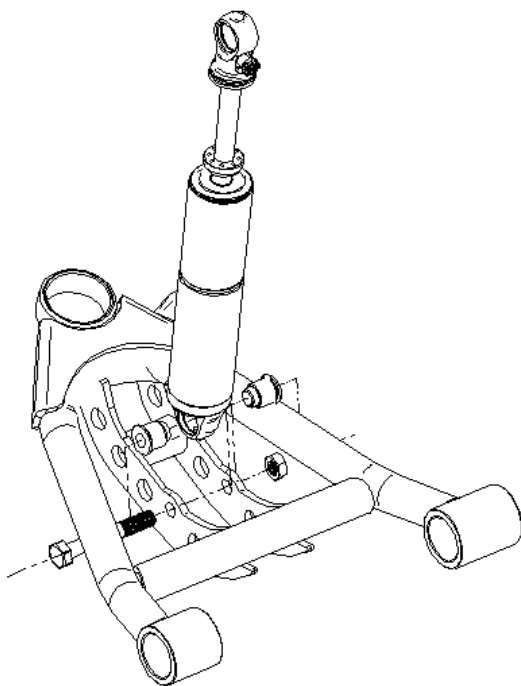
Lower StrongArm Installation



1. After removing the factory lower control arm, clean the bushing mounting surfaces on the frame to make sure they are fairly smooth.

NOTE: IF YOU ARE INSTALLING THESE CONTROLS ARMS ON A G-BODY, THE 3" LONG SLEEVE IN THE CONTROL ARM WILL NEED TO BE CHANGED TO THE 3" SLEEVE THAT IS INCLUDED SEPERATELY IN THE KIT.

2. Fasten the lower arm to the frame using the correct hardware that is supplied in the kit. G-Body uses (2) 12 mm bolts. S10 uses a 12mm and 14mm bolt to attach the control arm. Torque to 75 ft-lbs.



3. Swing the lower StrongArm up to the shock and secure with the $\frac{1}{2}$ " x 3 $\frac{1}{2}$ " bolt, flat washers, and Nylok nut. An aluminum spacer must be installed in each side of the bearing. The small diameter of the spacer will get inserted into the shock bearing. Torque to 75 ft-lbs.

4. Slide the ball joint boot over the stud, then push the stud up through the spindle.

Torque Specs:

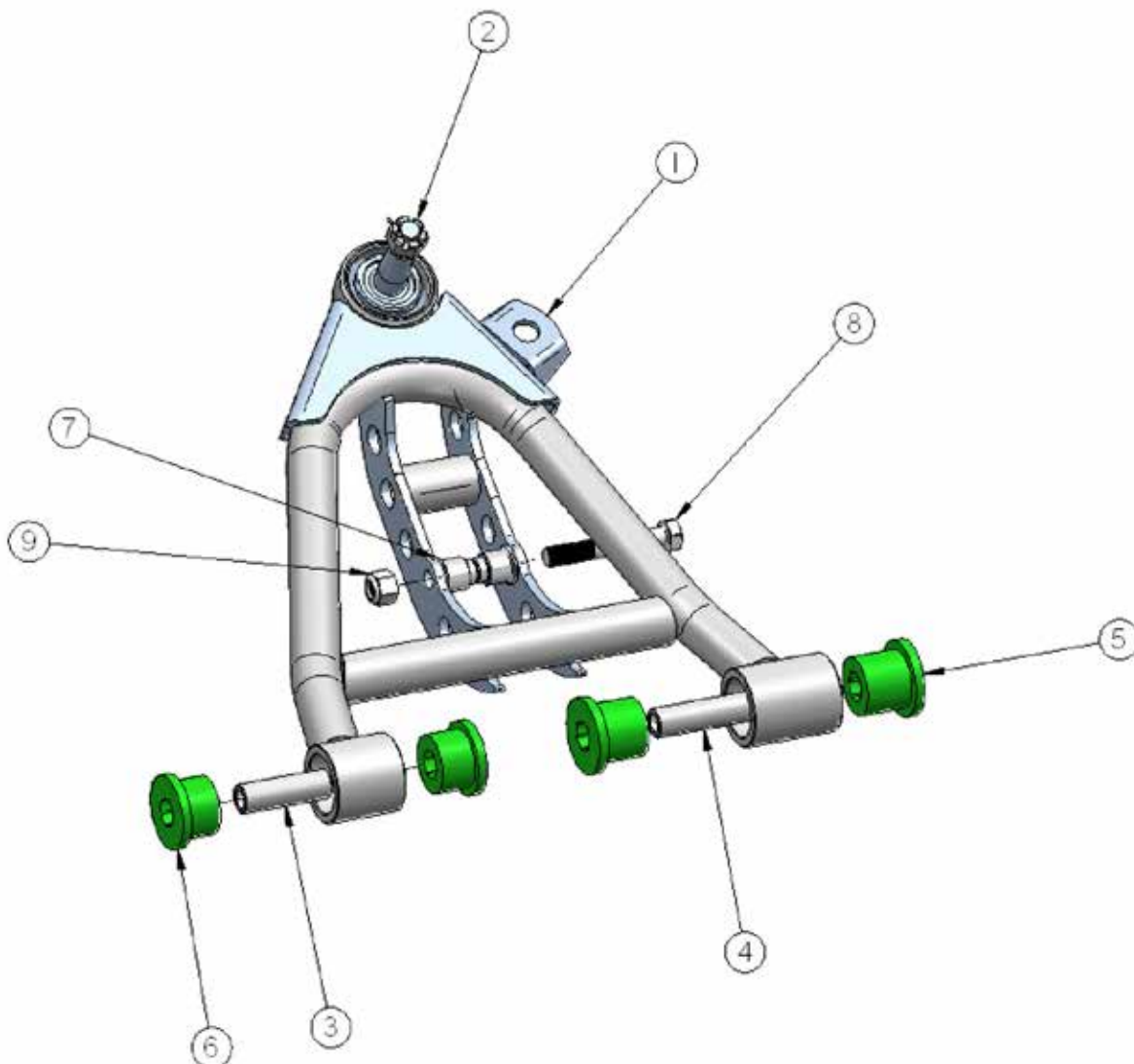
Lower Ball joint - 79 ftlbs and tighten to line up cotter pin

5. Grease the ball joints.



Lower StrongArm Installation

Item #	Part #	Description	Qty.
1.	90002377	Driver side arm – SHOWN	1
	90002378	Passenger side arm	1
2.	9000896	Ball Joint	2
3.	90000572	Inner bushing sleeve – narrow	2
4.	90002672	Inner bushing sleeve – wide	2
5.	70010759	Delrin bushing half	2
6.	70010759	Delrin bushing half	2
7.	90002062	Aluminum bearing spacer	4
8.	99501005	1/2"-13 x 3 1/2" bolt	2
9.	99502009	1/2"-13 Nylok nut	2
	99503014	1/2" SAE Flat Washer not shown	4





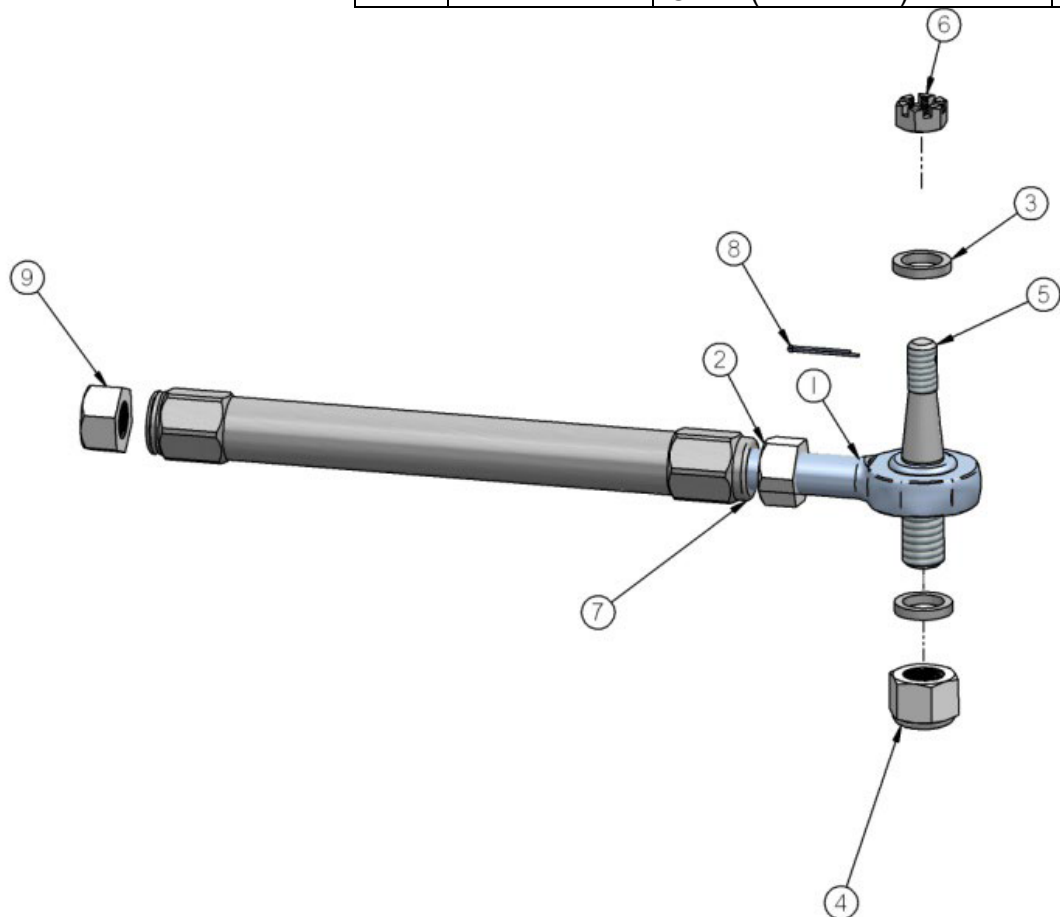
TruTurn Installation

Part # 11329595/11399595

78-88 G-Body/82-03 S10 TruTurn System without Spindles



Item #	Part #	Description-Specification	Qty.
1.	90001590	Heim end	2
2.	99800002	5/8"-18 RH jam nut	2
3.	90002676	Heim End Spacer	6
4.	99622003	5/8"-18 Lock Nut-35 ft lbs	2
5.	90002374	Tie Rod Stud	2
6.	99432005	7/16"-20 castle nut-35 ft lbs	2
7.	90002375	Adjusting sleeve	2
8.	99952002	3/32" cotter pin	2
9.	99800003	5/8"-18 LH jam nut	2
	90003058	Inner Tie Rod -S10 ONLY(not shown)	2





TruTurn Installation

Installation instructions:

IF INSTALLING A S10 KIT, IT WILL COME WITH NEW INNER TIE RODS!

NOTE: The number in (#) is the number of the part in the drawing on the previous page.

1. Raise and safely support the front of your vehicle at a comfortable working level
2. Remove existing outer tie rod and adjuster leaving the inner tie rod.
3. Install the (5) Tie Rod Stud into your factory spindle using the (6)7/16" castle nut. Torque the nut to 35 ft lbs and install (8) cotter pin. **NOTE:** If none of the holes line up tighten the nut until you can get the hole to line up with a slot.
4. Install the (7) Right Hand thread nut onto the (1) heim end and (9) Left hand nut onto the factory tie rod.
5. Antiseize the threads on the factory tie rod and heim end to prevent the threads from galling.
6. The left hand threaded side of the (7) adjuster goes onto the factory tie rod; it has a groove cut into the end of the adjuster. You will want the thread engagement the same on the tie rod end and the heim, the easy way to do this is set then nut on the tie rod 1 1/4" from the end of the tie rod and thread the adjuster on so that it touches the nut.
7. Install the heim end into the other end of the adjuster. Start by threading the lock nut all the way on the heim end and thread the heim end into the adjuster so that it touches the nut.
8. Install the heim end side of the tie rod onto the tie rod stud using the (3) aluminum spacer on top and bottom of the heim end and then install the (4)5/8" lock nut. **Depending on spindle manufacture, a 2nd spacer made need to be installed on the bottom side of the heim end.** Torque nut to 35 ft lbs.
9. Set the center to center length of the tie rod assembly to 17 3/4" by turning the adjuster out. This will get you close on the toe setting but it will need to be aligned. **USE THE SIGHT HOLES IN THE SIDE OF THE TIE ROD ADJUSTER TO ENSURE PROPER THREAD ENGAGEMENT.**
10. Adjust the camber and toe roughly until you can get the vehicle to a proper alignment shop. The recommended alignment settings are:

Camber - -.5 to -1.5 [within .3 from side to side]

Caster - 4 to 7 degrees positive

Toe - 1/16" to 1/8" toe in

Feel free to experiment with alternative alignment settings that may be more appropriate for your particular driving style.

Installation notes:

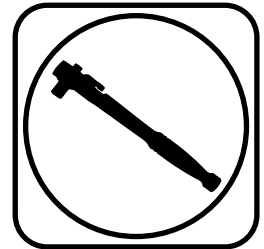
- A. **MAKE SURE** that the cotter pins are properly installed in all appropriate places [C] to ensure that the castle nuts do not become loose and fail. These are **VERY** important connections!



Part # 11399120 - 1982-2003 S10/S15 Front SwayBar



Recommended Tools



1982-2003 S10/S15 Front SwayBar Installation Instructions

Table of contents	
Page 19.....	Included Components and Hardware List
Page 20.....	SwayBar Installation

Hardware Torque Specifications	
5/16"-16.....	17 ftlbs
3/8"-16.....	30 ftlbs

Major ComponentsIn the box

Part #	Description	QTY
90001243	Front Sway Bar	1
90002937	End Link Kit	1
90001346	Bushing Strap	2
70015015	Lined Sway Bar Bushing	2
90001268	Bushing Mount Adapter - Driver	1
90001267	Bushing Mount Adapter - Passenger	1
70014344	Locking Ring	2

HARDWARE KIT.....99010088

QTY	Part #	Description	QTY	Part #	Description
ADAPTER PLATE			BUSHING STRAP		
4	99111001	M10-1.5 x 30MM Flat Head	4	99371065	3/8" -16 x 3/4" Hex Bolt
1	90002263	Red Loctite	4	99373002	3/8" Flat Washer
			4	99373006	3/8" Split Lock Washer

Getting Started.....

Note: This sway bar kit utilizes a anti-friction lining in the sway bar bushing. The lining allows the sway bar to move freely and quietly in the bushing. No lubrication is required.

1. Jack the vehicle up to a safe working height and support with jack stands. Make sure the jack stands are stable before working under the car.
2. Remove the stock sway bar.
3. After removing the stock sway bar, determine what size hardware the frame will require.



4. Open the sway bar bushing at the split and slip it **OVER** the sway bar. Do this for both bushings.



6. Slip the Bushing Straps over the SwayBar Bushings.



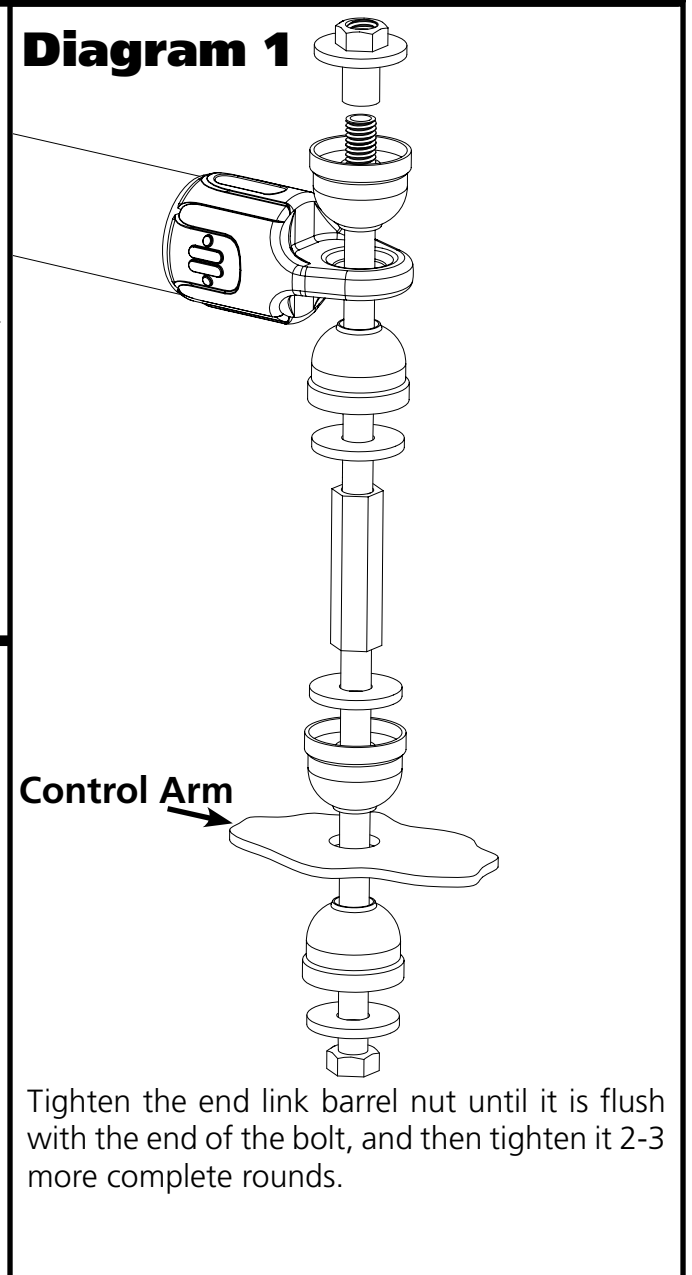
6. Hold the Frame Plate up to the OEM holes, the Counter Sunk holes will line up with the OEM threaded holes. The Plates are positioned with the threaded holes offset to the **FRONT and INSIDE of the truck**. Apply Red Loctite to the Flat Head Bolts. Torque Hardware.



7. Slide the SwayBar into position on the S10 with the SwayBar arms above the tie rods. Install a 3/8" Lock Washer & 3/8" Flat Washer on the 3/8"x 3/4" Hex Bolts. Do **NOT** Complete tighten the Hardware, it will be left partially loose until the End Links are installed.



8. Install the End Links using **Diagram 1** as a reference. Install both end links before tightening the end link hardware. Tighten the end link barrel nut until it is flush with the end of the bolt, and then tighten it 2-3 more complete rounds.



Tighten the end link barrel nut until it is flush with the end of the bolt, and then tighten it 2-3 more complete rounds.

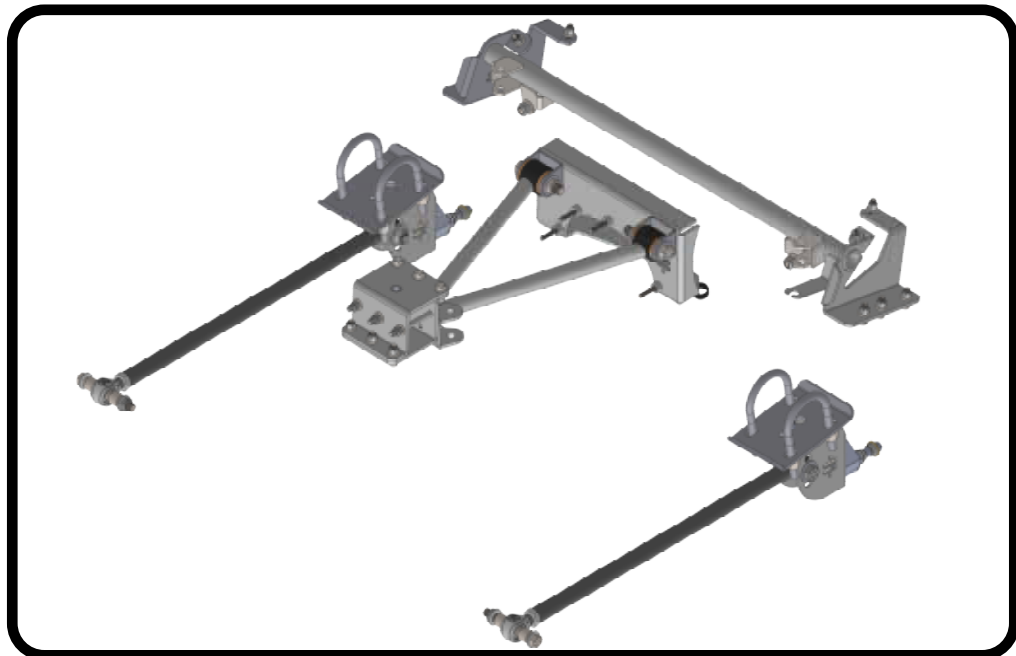


9. Torque the SwayBar mounting hardware to 30 ftlbs. Install the locking rings on the inside of each bushing assembly. Use a hex key to take the locking ring apart. Reassemble it on the bar positioned next to the inside of the bushing assembly. Push the locking ring up against the bushing assembly and tighten.

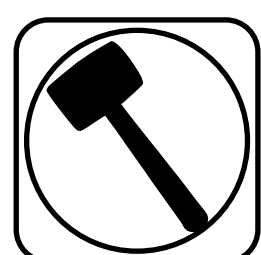
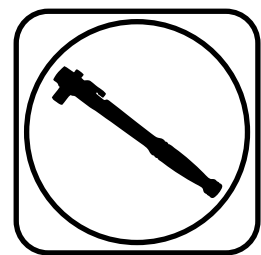


Part # 11397198/11397199

1982-2002 S10/S15 Rear Bolt-On Wishbone Suspension System



Recommended Tools



1982-2002 S10/S15 Rear Suspension Installation Instructions

Table of contents	
Page 22-33.....	Included Components
Page 24.....	Hardware List & Getting Started
Page 25.....	Disassembly
Page 26.....	Brake Line Bracket Removal
Page 27-28.....	Crossmember Wishbone Mount Installation
Page 29-30.....	Upper Crossmember Installation
Page 30-33.....	Wishbone Installation
Page 34.....	Lower Mount & Lower Bar Installation
Page 35.....	ShockWave/CoilOver Installation
Page 36.....	Differential Vent & Emissions Solenoid

NOTE: Due to the various locations of the emissions equipment, etc. through the years, you may need to relocate items such as the charcoal canister, fuel lines, brake lines, and electrical wiring. A little thought and care goes a long way here! Typically the fuel lines, brake lines and wiring can be simply moved aside if they are in the way, while the charcoal canister may need to be repositioned entirely.





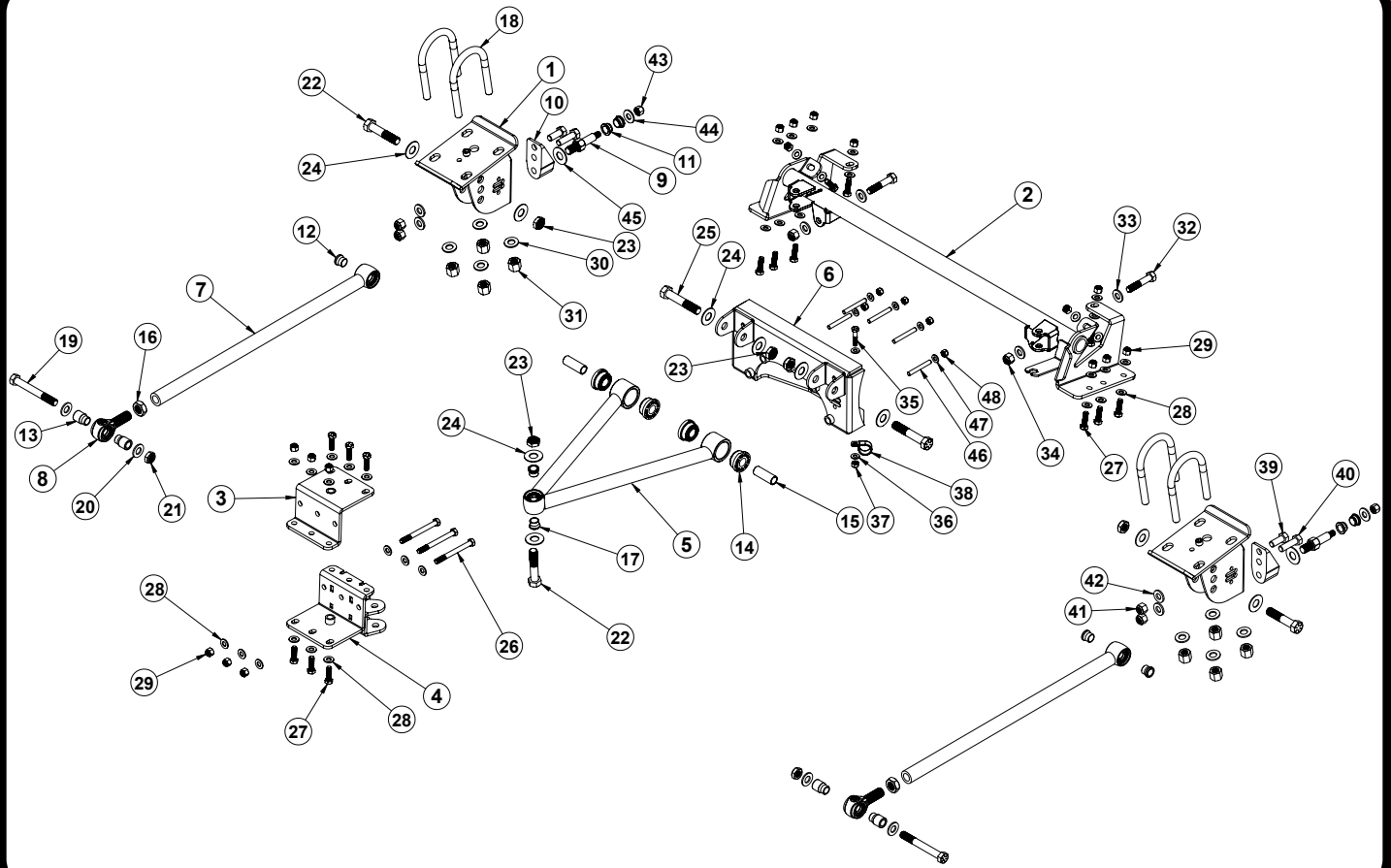
Major ComponentsIn the box

Item #	Part #	Description	QTY
1	90002901	Lower Axle Bracket	2
2	90003232	Rear Upper ShockWave/CoilOver Mount Crossmember	1
3	90003230	Upper Wishbone Crossmember Bracket - Front Half	1
4	90003231	Upper Wishbone Crossmember Bracket with Mount - Rear Half	1
5	90003233	Rear Upper Wishbone	1
6	90002903 or 90002911	Rear Upper Control Arm Differential Mount - STANDARD KIT with 7.5" axle or Rear Upper Control Arm Differential Mount - KIT with 8.5" Axle	1 1
7	90002869	Lower Bars - Set to 26 1/4"	2
8	90001318	RH R-Joint Threaded Housing	2
9	70002825	5/8" Shock Stud	2
10	90001624	Aluminum Lower Shock Mount	2
11	90002067	Lower Shock Bearing Spacers	4
12	70013540	Narrow R-Joint Spacers (5/8" ID x .680" Long) - rear lower bar	4
13	70013768	Wide R-Joint Spacer (9/16" ID 1.240" Long) - Lower Bars - front lower	4
14	70010759	Delrin Bushings - installed in upper control arm	4
15	90002895	Delrin Bushing Inner Sleeves - installed in upper control arm	2
16	99752004	3/4"-16 Jam Nut - Installed on Upper Control Arm	2
17	70013334	Narrow R-Joint Spacers (5/8" ID x .620" Long) - upper wishbone	2
18	99566004	U-Bolt 9/16-18 x 3.13 x 5 w/2" Thread	4
R-Joint Components - (Installed in bar ends and front of wishbone)			
	70013279	Retaining Ring	3
	70013280	Wavo Wave Spring	3
	70013275	R-Joint Center Ball	3
	70013276	R-Joint Composite Center Ball Cage	3

New R-Joints will be quite stiff (75-90 in/lbs breakaway torque) until they "break in" after a few miles of use. After the break in period they will move much more freely. Because the composite bearing race contains self lubricating ingredients, no additional lubrication is needed or desired. Any additional lubrication will only serve to attract more dirt and debris to the R-Joint and actually shorten its life.



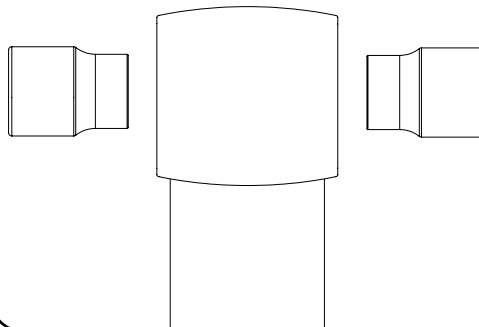
Major ComponentsIn the box



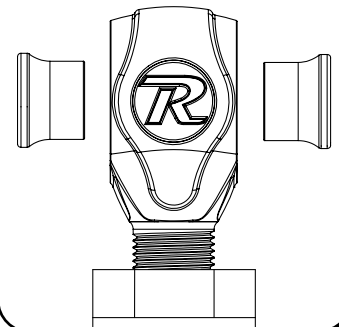
R-JOINT SPACER INSTALLATION

Install the Spacers by inserting the SMALL side of the SPACER into the Center Pivot Ball. Push them in until they bottom out and stop.

LOWER FRONT R-JOINT



ALL OTHER R-JOINTS



New R-Joints will be quite stiff (75-90 in/lbs breakaway torque) until they "break in" after a few miles of use. After the break in period they will move much more freely. Because the composite bearing race contains self lubricating ingredients, no additional lubrication is needed or desired. Any additional lubrication will only serve to attract more dirt and debris to the R-Joint and actually shorten its life.



Hardware ListIn the box (Kit# 99010082)

The Hardware Kit contains bags to help aid in selecting the correct hardware for the component being installed. The hardware list shows how the hardware is bagged.

Item #	Lower Link Bars		Qty	Item #	Upper Shock Mounting		Qty
19	99561012	9/16" x 4 1/2" Hex Bolt GR	2	32	99501050	1/2 X 2 1/2" GRADE 8 BOLT	2
20	99566003	9/16" Flat Washer	4	33	99503014	1/2 GRADE 8 FLAT WASHER	4
21	99562003	9/16" Nylok Jam Nut	2	34	99502009	1/2 GRADE 8 NYLOC NUT	2
22	99621004	5/8" x 3" Hex Bolt GR8	2	Brake Line Junction Block			
23	99622006	5/8"-18 Nylok Jam Nut	2	35	99311003	5/16 X 1 1/2 Hex BOLT	1
24	99623001	5/8" SAE Flat Washer	4	36	99313002	5/16 SAE FLAT WASHER	2
Upper Wishbone Mounting				37	99312003	5/16 NYLOC NUT	1
22	99621004	5/8" x 3" Hex Bolt GR8	1	38	99000008	7/8" INSULATED CLAMP	1
23	99622006	5/8"-18 Nylok Jam Nut	3	Lower Shock Mounting			
24	99623001	5/8" SAE Flat Washer	6	39	99501019	1/2"-13 x 1 1/4" Hex Bolt	2
25	99621005	5/8" x 3 1/2" Hex Bolt GR8	2	40	99501046	1/2"-13 x 1 3/4" Hex Bolt	2
Wishbone Front Crossmember Mount				41	99502001	1/2"-13 Nylok Nut	4
26	99371009	3/8 -16 X 4 HEX BOLT	3	42	99503001	1/2" SAE Flat Washer	4
27	99371004	3/8 -16 X 1 1/4 HEX BOLT	6	Shock Stud			
28	99373003	3/8 FLAT WASHER	18	43	99432002	7/16"-20 Nylok Nut	2
29	99372002	3/8 NYLOC NUT	9	44	99433002	7/16" SAE Flat Washer	2
Upper Crossmember				45	99623004	5/8" SAE Flat Washer	2
27	99371004	3/8"-16 x 1 1/4" Hex Bolt	10	Upper Wishbone Differential Mount			
28	99373003	3/8" SAE Flat Washer	20	46	99315002	5/16"-18 x 2 1/2" Threaded Stud	5
29	99372002	3/8"-16 Nylok Nut	10	47	99313001	5/16" SAE Flat Washer GR8	5
Lower Axle Bracket to Axle				48	99312002	5/16"-18 Nylok Nut GR8	5
30	99566003	9/16 FLAT WASHERS	8		99312007	5/16"-18 Hex Nut	2
31	99562010	9/16 HIGH NUT	8		90002263	Red Loctite	1

Getting Started.....

Congratulations on your purchase of the Ridetech Rear Wishbone System. This system has been designed to give your truck excellent handling along with a lifetime of enjoyment. Some of the key features of this system: 3Link setup to replace the leaf spring and provide better control of the rear axle, upper wishbone to eliminate the side-to-side movement of the differential, R-joints for excellent wear and quiet operation, and the biggest feature of all, it allows the use of ShockWaves or CoilOvers.

We have encountered inconsistencies in the welding on the OEM gas tank crossmembers that can affect the overall strength of the crossmember. For piece of mind, we recommend Ridetech Brace Kit #11397299 on high horsepower or V8 swapped trucks.

Note: This system is designed for use with the Ridetech ShockWaves or CoilOvers. **The factory shocks and springs or the factory sway bar will not fit this wishbone system.**



Disassembly

1. Raise the truck to a safe and comfortable working height and support it by the frame. You will need to be able to raise and lower the differential. Use a jack under the rear differential so it can be raised and lowered as needed during the install.
2. **This kit CAN be installed with the bed on.**
3. Remove the leaf springs and shock absorbers. Refer to the factory service manual for proper disassembly procedures. If the truck has the ZQ8 suspension package, the horizontal shock absorber & rear swaybar will need to be removed.



4. Remove the OEM bumpstop and bracket. A die grinder with a cutoff wheel works well for this. We use the cutoff wheel to cut the weld, taking care to not cut into the frame.



5. Grind the frame smooth after removing the bumpstop bracket. We recommend painting the area to prevent future rust.



Brake Line Bracket Removal

Steps 6-8 cover removing the rear brake line bracket from the frame rail. You can disconnect the metal line from the rubber line, but you will need to bleed the rear brakes. We are going to illustrate how to remove the bracket without opening the rear brake line.

6. The rear brake line bracket will need to be removed from the frame. The new crossmember has a provision for the brake line. Start by removing the clip from the rear brake line.

7. To keep from opening the brake line, we cut a notch in the end of the brake line bracket to slide the brake line through.

8. Use a saw-z-all or cut off tool to cut the brake line bracket flush with the inside edge of the frame rail.

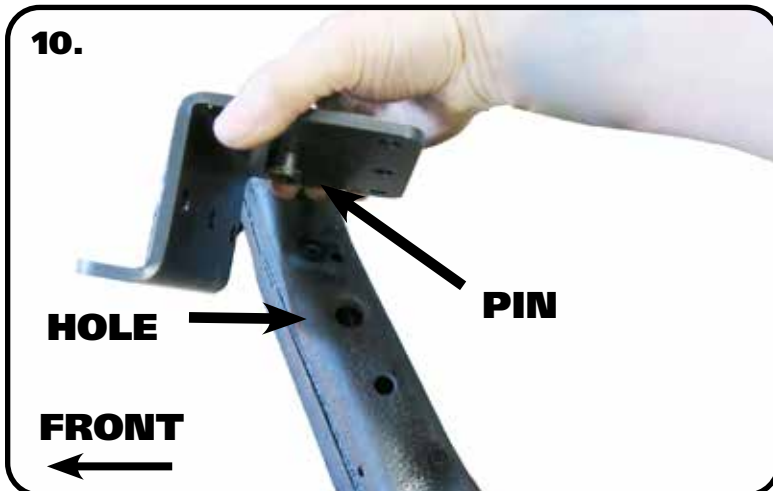




Crossmember Wishbone Mount Installation



9. If your truck came equipped with the emissions module mounted at the center of the gas tank crossmember, it will need to be relocated. The emissions control locations vary through the years. If the differential vent is mounted on top of the crossmember, it can be moved to the mounting hole for the emissions control module.



10. The wishbone crossmember mount uses the Hardware Bag labeled "Wishbone Front Crossmember Mount". Use **Images 10-13** as a reference for installing the front wishbone mount. It sits on top of the gas tank crossmember with the **PIN** engaged into the **CENTER HOLE** of the crossmember. The wishbone mounting point is to the **REAR** of the truck. In **Image 10**, the installer is lining up the pin with the locating hole in the crossmember.



11. The front portion of the wishbone mount sits on top of the gas tank crossmember.



Wishbone Mount Installation



12. The rear half of the wishbone mount is installed against the bottom of the gas tank crossmember with the PIN ENGAGED IN THE HOLE. The Rear Half has the wishbone mount built into it. The 2 halves are bolted together using (6) 3/8"-16 x 1 1/4" Hex bolts, (6) 3/8"-16 nylok nuts, & (12) 3/8" SAE flat washers. Install a flat washer on each on the (6) Bolts. Hold the front half of the wishbone mount in place and insert a bolt/washer in each of the (6) holes. Install a 3/8" SAE flat washer and nylok nut on each of the bolts. Torque to 30 ftlbs.



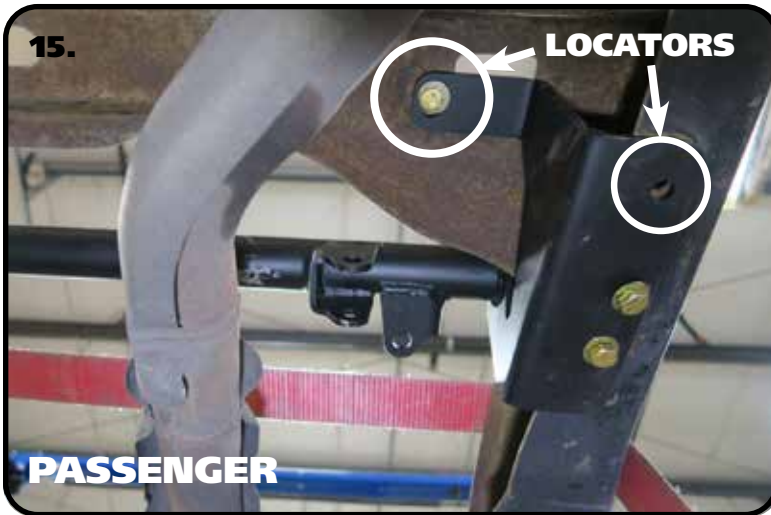
13. The wishbone mount has (3) holes in the front and rear that need to be drilled with a 3/8" drill bit. Use the wishbone mount as a template to drill the front and rear holes. Drill the (3) front holes and (3) rear holes from their respective sides.



14. Install a 3/8" flat washer on each of (3) 3/8"-16 x 4" hex bolts. Insert the bolt/washers into the drilled holes of the wishbone mount with the threads pointing to the front of the truck. Install a 3/8" SAE flat washer and nylok nut on each of the bolts. Torque to 30 ftlbs.



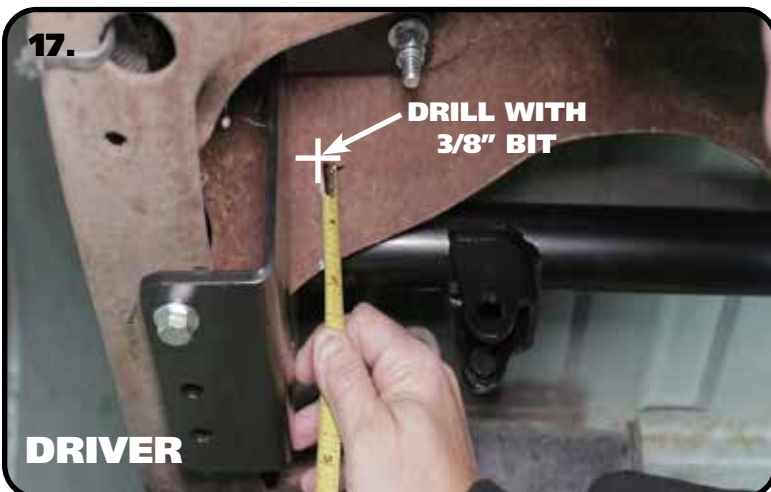
Upper Crossmember Installation



15. Upper crossmember installation. The upper crossmember uses the Hardware Bag labeled "Upper Crossmember". The upper crossmember locates off the OEM upper shock holes & the REAR hole of the bottom flange. Remove the OEM u-nuts from the shock mounting holes, if equipped. Holding the crossmember in position, bolt the locating tabs to the shock mounting holes using (1) 3/8"-16 x 1 1/4" Bolt, (2) 3/8" flat washers, & (1) 3/8"-16 nylok nut in each locating tab. Do the same for the bottom flange. Install the hardware in both sides. Snug the hardware down, but do not tighten at this time.



16. The NEW crossmember has a tab that rests against the top of the OEM shock crossmember. A hole will need to be drilled from the bottom side. The next 2 steps show you how to mark the hole location from the bottom. Measure over 4" from the inside of the frame rail and put a couple marks above and below the tape measure tape.



17. Measure up 1 3/4" from the bottom edge of the OEM crossmember keeping the tape measure in line with the marks. Put a mark at the 1 3/4" measurement. If there isn't a 4" mark, you will need one to mark center of the hole.



Upper Crossmember & Wishbone Installation



18. Drill the center of the marks with 3/8" drill bit. You will also need to drill the (2) holes in each bottom flange using the crossmember as a template. Use a drill with a 3/8" drill bit. Drill the (3) holes in the driver and passenger sides. Install a 3/8" flat washer on each of the (8) remaining 3/8"-16 x 1 1/4" bolts. Insert each of them into one of the drilled holes. Install a 3/8" flat washer and 3/8"-16 nylok nut on each bolt. Torque to 30 ftlbs. Also, torque the (4) that were installed previously.



19. Attach the brake line to the brake line bracket on the driver side of the upper crossmember. The brake line will slip in the opening of the bracket. Reinstall the clip that was removed earlier.

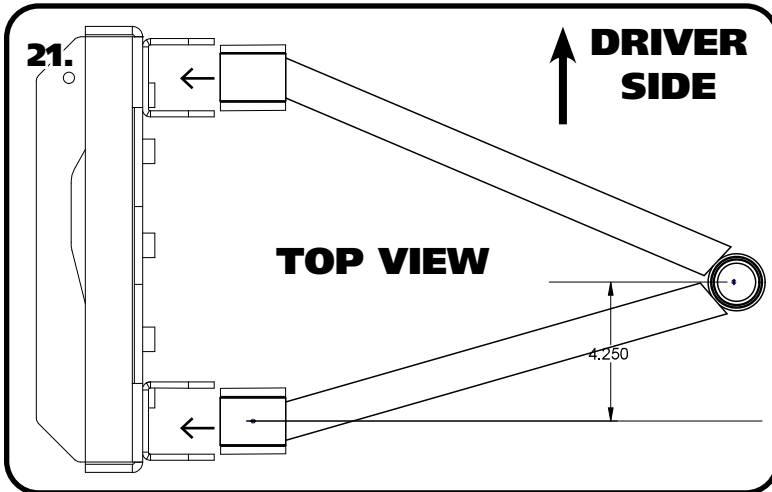


20. Remove the **TOP 5** bolts from the differential cover. These are circled in **Image 20**. Also remove the mounting bracket from the brake line distribution "T" and the emergency brake cable mounting bracket.

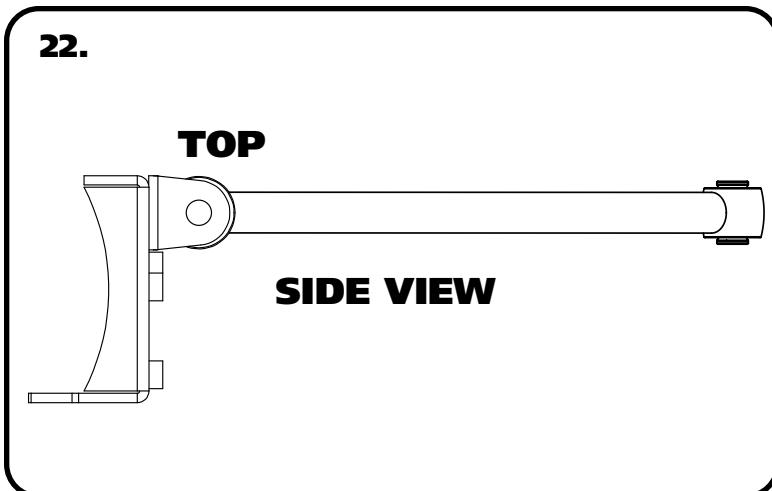
IF THE DIFFERENTIAL COVER HAS A GASKET BETWEEN IT AND THE HOUSING, IT WILL NEED TO BE REMOVED AND SEALED WITH RTV SEALANT. Be sure to refill the differential with the correct gear oil before driving.



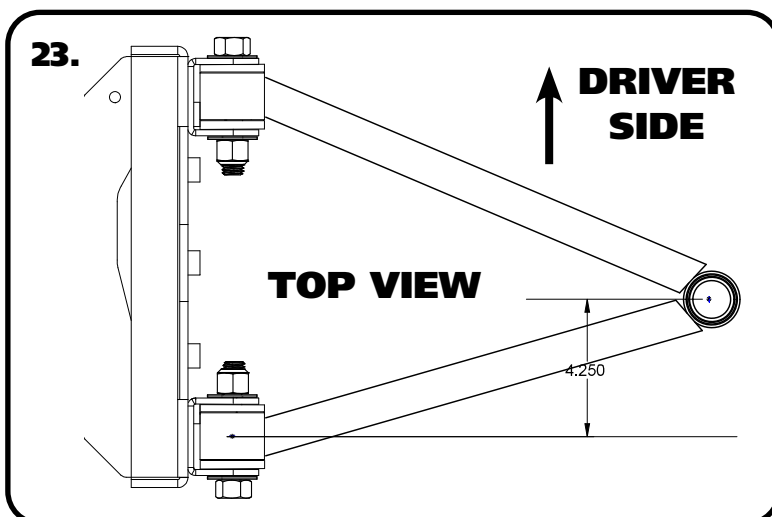
Wishbone Installation



21. The upper wishbone front R-Joint is offset to the passenger side. Use **Images 21 & 22** as a reference for assembling the upper wishbone to the wishbone axle mount. Slip the wishbone into the mount with the front R-Joint offset to the passenger side.



22. The wishbone mounts are to the TOP of the axle mount. Insert the wishbone into the mount lining up the holes in the mount with the Inner bushing sleeves.



23. Using the Hardware Bag "Upper Wishbone Mounting", install a 5/8" flat washer on each of (2) 5/8"-18 x 3 1/2" bolts. Install each Bolt/washer from the outside. With the bolts installed, install a 5/8" flat washer & 5/8"-18 nylok nut on each bolt. Tighten the bolts/nuts enough to eliminate any gaps.



Wishbone Installation



24. The 5 OEM bolts that were removed from the top of the differential cover will be replaced with 5/16"-18 x 2 1/2" studs. These studs and the nuts used to install them, are supplied in the Hardware Bag labeled "Upper Wishbone Differential Mount". Thread the (2) 5/16"-18 hex nuts on one of the studs. Using (2) wrenches, tighten the nuts against each other locking them together. Apply Red Loctite to the other end of the stud.



25. Thread the stud into one of the 5 threaded holes in the axle housing. Torque the stud to 25 ftlbs. Use 2 wrenches to unlock the nuts from each other and remove them from the stud. Repeat the process on the remaining 4 studs.



26. Line the 5 holes in the axle bracket with the 5 studs that were just installed in the axle housing. Using the Hardware Bag "Upper Wishbone Differential Mount", install a 5/16" flat washer, followed by a 5/16"-18 Nylok Nut on each of the (5) studs. Torque the nuts to 25 ftlbs.



Upper Wishbone & Lower Mount Installation



27. Using the Hardware Bag "Brake Line Junction Block", install a 5/16" flat washer on a 5/16"-18 x 1/2" Bolts. Insert the bolt/washer through the junction block and mounting hole in the differential bracket. Install the insulated clamp on the emergency brake cable, it will attach to the 5/16" bolt on the bottom side of the axle mount. Slip the mounting hole of the clamp onto the threads of the 5/16" bolt. Install a 5/16" flat washer & 5/16"-18 nylok nut on the threads of the bolt. The brake lines will need to be tweaked to get the distribution block in position. Torque the bolts to 25 ftlbs.



28. Insert a narrow R-Joint spacer (.620") into each side of the front R-joint of the wishbone. Using the Hardware Bag "Upper Wishbone Mounting", install a 5/8" flat washer on a 5/8"-18 x 3" Bolt. Line up the R-Joint with the front wishbone mount. **Insert the bolt/washer in the lined up R-joint/mount with the threads pointing up.** With the bolt installed, install a 5/8" flat washer & 5/8"-18 nylok nut on the bolt. Tighten the bolts/nuts enough to eliminate any gaps.



29. The axle mounts are the same for driver and passenger sides. Install the supplied 9/16" u-bolts on each side of the OEM leaf spring pads. Slide an axle mount on the u-bolts with the center pin inserted into the leaf spring pad. The hardware bag is labeled "Lower Axle Bracket to Axle". Hold the mount in place and install a 9/16" flat washer and 9/16" high nut on the threads of the u-bolts sticking through the axle mount. Tighten the nuts evenly in a crisscross fashion making sure the center pin is engaged into the leaf spring pad. Torque the nuts in a crisscross fashion to 60 ftlbs. Repeat on the other side.



Lower Mount & Lower Bar Installation

30.



30. The Hardware Bag for the lower shock mount is labeled "Lower Shock Mounting". The lower shock mount attaches with (1) 1/2"-13 x 1 1/4" hex bolt, (1) 1/3"-13 x 1 3/4" hex bolt, & (2) 1/2" flat washers, & (2) 1/2"-13 nylok nuts. The lower mount gets attached to the TOP 2 holes of the axle mount. Insert the bolts through the aluminum shock mount with the 1 1/4" long bolt in the top hole, 1 3/4" in the bottom hole. Insert the bolts through the TOP 2 holes of the axle mount and install the flat washers & nylok nuts on the threads sticking through. Repeat on both sides and torque the bolts/nuts to 75 ftlbs. Install a 5/8" flat washer onto the 5/8"-18 threads of the shock stud. Apply Red Loctite to the 5/8" threads of the stud. Thread the shock stud into the threaded hole of the lower mount. Repeat on both sides and torque the shock stud to 65-75 ftlbs.

31.



31. The hardware bag for the lower bars is labeled "Lower Link Bars". Insert the long R-Joint spacers (1.240" long) into the front of the lower bar with the small OD inserted into the R-joint. Insert the front lower bar R-Joint into the front leaf spring mount. Line the through hole of the R-Joint with the holes of the leaf spring mount. Install a 9/16" flat washer on to a 9/16"-18 x 4 1/2" hex bolt, insert into the lined up holes. Install a 9/16" flat washer followed by a 9/16"-18 thin jam nylok nut. Repeat on both sides and tighten the bolts/nuts enough to eliminate any gaps.

32.



32. **The rear of the lower bar gets bolted into the center set of holes.** Insert 2 narrow R-Joint spacers (.680" long) into the R-Joint of one end of each lower bars. Insert the rear lower bar R-Joint into the lower axle bracket. Line the through hole of the R-Joint with the holes of the axle bracket. Install a 5/8" Flat washer on to a 5/8"-18 x 3" hex bolt, insert into the lined up holes. Install a 5/8" flat washer followed by a 5/8"-18 thin jam nylok nut. Repeat on both sides and tighten the bolts/nuts enough to eliminate any gaps.



ShockWave/CoilOver Installation



33. Insert the 1/2" ID shock bearing spacer into each side of the ShockWave/CoilOver bearing. Install a 1/2" flat washer on a 1/2"-13 x 2 3/4" bolt. If installing ShockWaves, insert the top of the shock into the shock mount on the upper crossmember with the adjusting knob to the inside. If installing CoilOver, insert the bottom of the shock into the shock mount on the upper crossmember. Line up the holes and insert the bolt/washer. Install a 1/2" flat washer and 1/2"-13 nylok nut on the threads and tighten to 50 ftlbs.



34. The shock stud requires bearing spacers that are .400" long (90002067). Install a 5/8" ID 90002067 spacer (**Small side towards shock body**) onto the lower shock stud. Slide the bottom of the shock onto the stud. Install a second 5/8" ID 90002067 spacer onto the stud (**small side towards shock**). You may need to jack the rear end up to slide the shock onto the stud. Install the 7/16" Flat washer and 7/16" Nylok nut. Tighten the upper and lower shock bolts. Torque the upper bolt to 50 ftlbs and the lower nut to 40 ftlbs. The designed ride height of the CoilOver/Shockwave is 14 1/2" center to center.



35. This particular truck had the emissions canister mounted right behind the gas tank. We had to trim the rear corner off for clearance of the new lowered suspension.



Differential Vent & Emissions Solenoid



36. Image 36 illustrates where we moved the differential vent that was on top of the crossmember. It will bolt in the hole that the emissions module was bolted into using the OEM hardware.



37. For trucks with the emissions control on the gas tank crossmember, we attached it to the end of the charcoal canister.

38. Setting Ride Height - The shock mount-to-mount dimension should be 14 1/2". For trucks with ShockWaves, it's a matter of adjusting the air pressure to obtain the ride height. CoilOver trucks will require adjusting the coilspring spanner nut on the shock to obtain the correct ride height.

39. If you opened the rear brake line, bleed the rear brakes.

40. Verify all hardware is tight.



Part # 11396510 - 1982-2002 S10/S15 Rear HQ Series CoilOvers



Recommended Tools



1982-2002 S10/S15 HQ Series Rear CoilOvers Installation Instructions

Table of contents

Page 38..... Included components

Page 39..... Assembly and Adjusting

Page 40..... Final Adjusting and Preloading the Spring

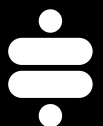
CoilOver Dimensions:

Center of bearing to Center of bearing:

Compressed: 11.23"

Ride Height: 14.50"

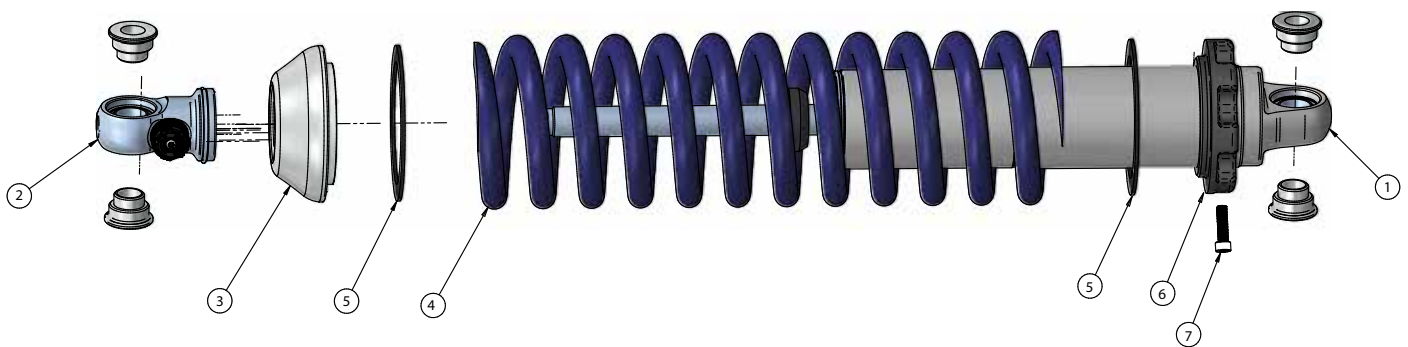
Extended: 16.43"





Major ComponentsIn the box

Item #	Part #	Description	QTY
1	982-10-805	5.2" Stroke HQ Series Shock	2
2	815-05-022-KIT	1.7" Shock Eyelet	2
3	90002070	3/4" Drop Cap	2
4	59120150	Coilspring 12" 150lb	2
5	70010828	Delrin Spring Washer	4
6	803-00-199(kit)	Lower Spring Adjuster Nut (803-00-199 kit)	2
7	803-00-199(kit)	Adjuster Nut Locking Screw (803-00-199 kit)	2
8	803-00-199(kit)	Retaining Ring (803-00-199 kit)	2
	90002043	1/2" ID Upper Bearing Spacers	4
	90001994	5/8" ID Bearing (installed in shock and eyelet)	4
	90001995	Bearing Snap Ring (installed in shock and eyelet)	8



CoilOver Assembly...



1

First, using the supplied lower adjuster nut (803-00-199) thread the nut onto the shock from the bottom side as seen in figure 1. Remove the plastic pellet that is in the split of the adjuster nut.



4

Once the knob is removed slide a Delrin washer over the eyelet. Next, slide the upper spring mount (803-00-199) over eyelet as seen in figure 4.



2

Next, install a delrin washer then coil spring over the top of the shock as seen in figure 2.



5

Install upper spring mount retainer clip (803-00-199) into the groove on the upper eyelet as seen in figure 5. Then, reinstall adjuster to complete assembly.



3

Before the upper spring mount can be installed screw the adjuster knob on the upper eye mount to the firmest setting (clockwise) as seen in figure 3. Then remove the Knob by holding it while removing the center screw.

Install the locking screw in the adjuster nut before setting spring preload, but DO NOT tighten until the spring preload has been set.

NOTE: Remember to adjust the shock valving before driving, the shock is currently set to full stiff.

Shock Adjustment 101- Single Adjustable

Rebound Adjustment:

How to adjust your new shocks.

The rebound adjustment knob is located on the top of the shock absorber protruding from the eyelet. You must first begin at the ZERO setting, then set the shock to a medium setting of 12.



-Begin with the shocks adjusted to the ZERO rebound position (full stiff). Do this by rotating the rebound adjuster knob clockwise until it stops.



-Now turn the rebound adjuster knob counter clock wise 12 clicks. This sets the shock at 12. (settings 21-24 are typically too soft for street use).

Take the vehicle for a test drive.



-if you are satisfied with the ride quality, do not do anything, you are set!

-if the ride quality is too soft increase the damping effect by rotating the rebound knob clock wise 3 clicks.

Take the vehicle for another test drive.



-if the vehicle is too soft increase the damping effect by rotating the rebound knob clock wise 3 additional clicks.



-If the vehicle is too stiff rotate the rebound adjustment knob counter clock wise 2 clicks and you are set!

Take the vehicle for another test drive and repeat the above steps until the ride quality is satisfactory.

Note:

One end of the vehicle will likely reach the desired setting before the other end. If this happens stop adjusting the satisfied end and keep adjusting the unsatisfied end until the overall ride quality is satisfactory.



Final Tightening and Adjusting

Ride Height

We have designed most cars to have a ride height of about 2" lower than factory. To achieve the best ride quality & handling, the shock absorber needs to be at 40-60% overall travel when the car is at ride height. This will ensure that the shock will not bottom out or top out over even the largest bumps. Measuring the shock can be difficult, especially on some front suspensions. Measuring overall wheel travel is just as effective and can be much easier. Most cars will have 4-6" of overall wheel travel. One easy way to determine where you are at in wheel travel is to take a measurement from the fender lip (center of the wheel) to the ground. Then lift the car by the frame until the wheel is just touching the ground, re-measure. This will indicate how far you are from full extension of the shock. A minimum of 1.5" of extension travel (at the wheel) is needed to ensure that the shock does not top out. If you are more than 3" from full extension of the shock then you are in danger of bottoming out the shock absorber.

Adjusting Spring Height

When assembling the CoilOver, screw the spring retainer tight up to the spring (0 preload). After entire weight of car is on the wheels, jounce the suspension and roll the car forward and backward to alleviate suspension bind.

- If the car is too high w/ 0 preload then a smaller rate spring is required. Although threading the spring retainer down would lower the car, this could allow the spring to fall out of its seat when lifting the car by the frame.
- If the car is too low w/ 0 preload, then preload can then be added by threading the spring retainer up to achieve ride height. On 2.6" - 4" stroke shocks, up to 1.5" of preload is acceptable. On 5-7" stroke shocks, up to 2.5" of preload is acceptable. If more preload is needed to achieve ride height a stiffer spring rate is required. Too much preload may lead to coil bind, causing ride quality to suffer.