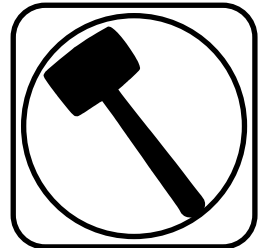




### Part # 11713699 - 2014-2018 Silverado Front Upper StrongArms



#### Recommended Tools



## 2014-2018 Silverado Upper StrongArms Installation Instructions

### Table of contents

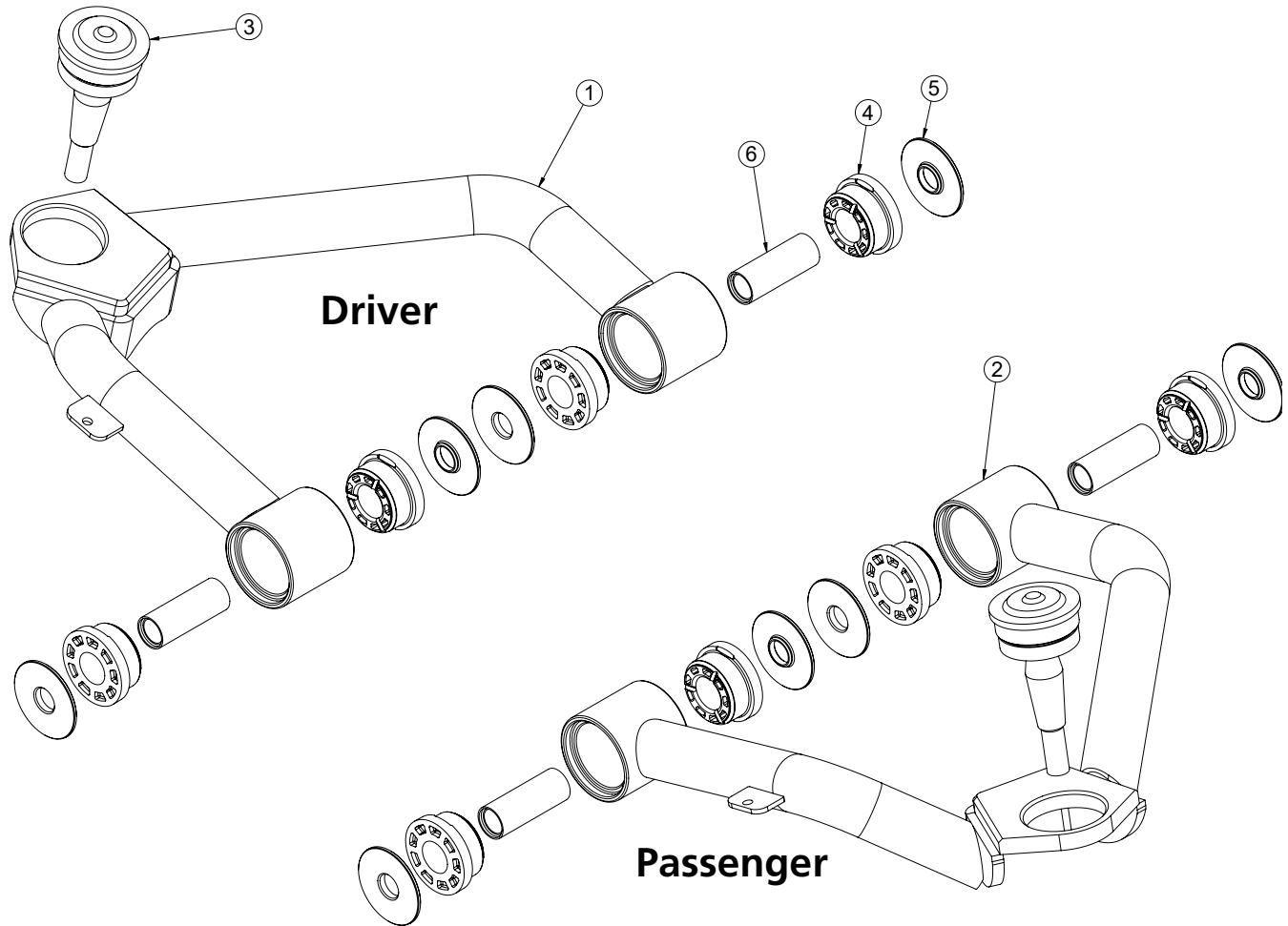
- Page 2..... Upper Control Arm Components & Hardware Kit
- Page 3..... Getting Started
- Page 4..... Upper Control Arm Installation
- Page 5..... Upper Control Arm Installation & Alignment

**THESE CONTROLS ARMS ARE DESIGNED TO FIT TRUCKS WITH ALUMINUM OR STAMPED STEEL OE CONTROL ARMS.**



### Upper Control Arm Components .....In the box

Item #	Part Number	Description	QTY
1	90003541	Driver Upper Control Arm	1
2	90003542	Passenger Upper Control Arm	1
3	70016040	Upper Ball Joints - Proforged 101-10502/Moog K500340	2
4	70010827	Delrin Bushing Half	8
5	90001429	Delrin Bushing T-Washer	8
6	90001430	Delrin Bushing Inner Sleeve	4



### Hardware List .....In the box (Kit # 99010237)

Part Number	Description	QTY
<b>Brake Line Tab</b>		
99251020	1/4"-20 x 1/2" Thread Forming Screw	2



### Getting Started.....

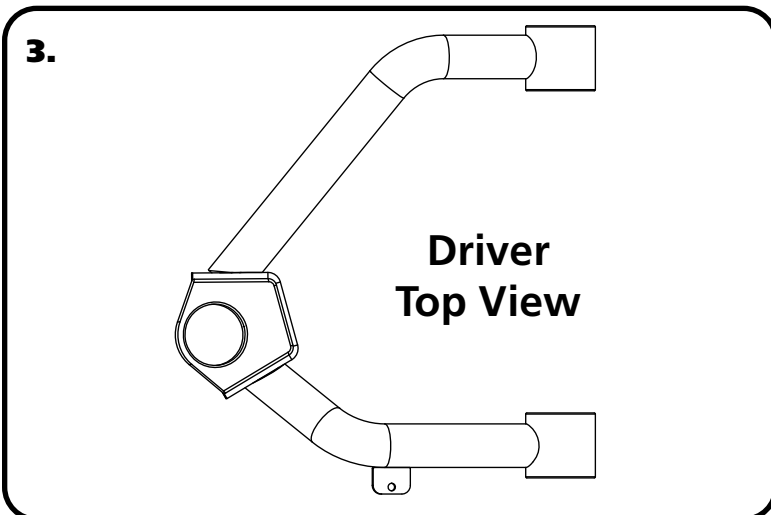
Congratulations on your purchase of the Ridetech 2016-2018 up Silverado StrongArms. These StrongArms have been designed to give your Silverado excellent handling along with a lifetime of enjoyment. Some of the key features of the StrongArms: Ball Joint angles have been optimized for the lowered ride height, Control arm length has been optimized for the lowered ride height.

### Installation

1. Remove the entire upper control arms from the truck. Retain the OEM hardware for installation of the new control arms. If you are replacing the shock/spring assembly, install them in conjunction with the upper control arms. Refer to the CoilOver instructions for installation.



2. Remove the brake line tab from the upper arm.



3. The upper control arm is attached to the factory mount using the factory hardware. The driver side arm is shown in **Figure "3"**. The ball joint on the arm is oriented to the rear of the truck. The brake line tab on the control arm will be to the REAR of the control arm.



### Upper Control Arm Installation



**4.** Insert a t-washer in each side of the control arm bushings. The small diameter of the t-washer goes into the bushing. You may have to tap it in the inner sleeve. The control arm mount will keep the t-washer seated.



**5.** The upper control arm is attached in the factory mount using factory hardware. The driver side arm is shown in **Figure "3, 4 & 5"**. Line up the through holes of the bushings with the OEM holes.



**6.** Reinstall the OEM bolts. Snug the hardware down for now. The upper control arm bolts need to be torqued to 140 ft-lbs.



### Upper Control Arm Installation



7. Insert the pin of the upper ball joint into the spindle.



8. Install the ball joint nut on the ball joint pin.

**Torque Specs:**

Lower Ball joint - 50 ftlbs and tighten to line up cotter pin.

Install the cotter pin after tightening the ball joint nut.



9. Attach the brake line bracket to the new upper control arm using the supplied thread forming bolts. Align the bracket with the tab on the control arm. Attach it using the thread forming bolts supplied with the kit. These can be threaded in using a ratchet. Put downward pressure on the bolt while turning them. Torque them to 15 inlbs.

10. After putting the truck back on the ground, torque the upper control arm mounting bolts to 140 ft-lbs. Grease the ball joints.

11. Have the vehicle aligned.

Suggested Alignment Specs	
Street Driving	
Camber	-0.4° (+ or - 0.4°)
Caster	+4.0° (+ or - 0.5°)
Toe	+0.1° (+ or - 0.1°)