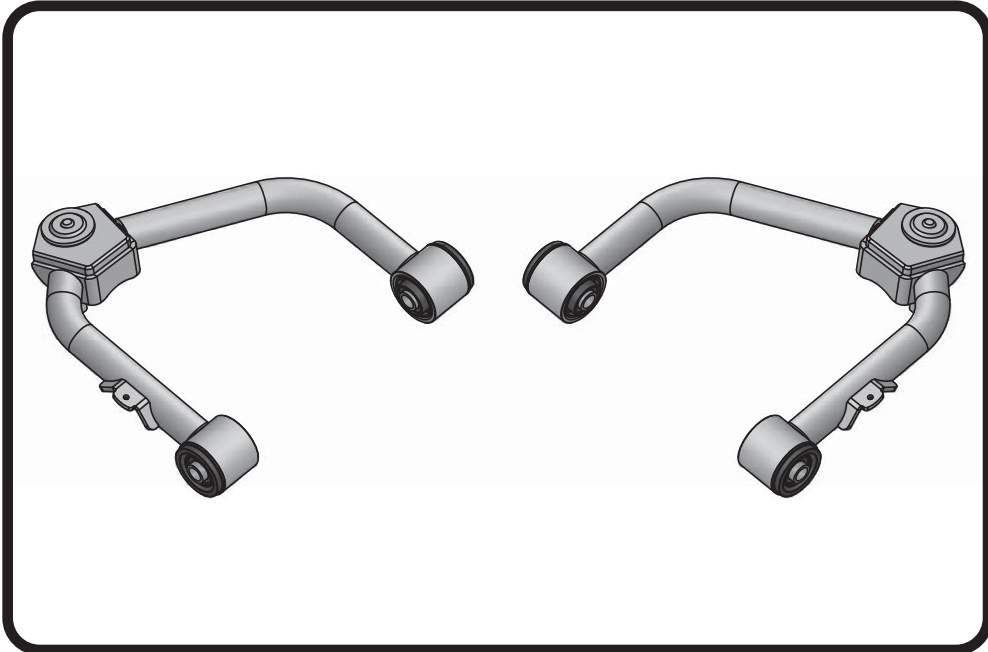
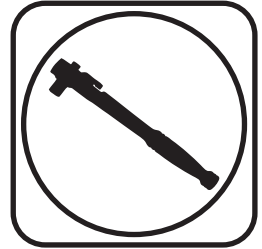




Part # 11723699 - 2019 up Silverado Front Upper StrongArms



Recommended Tools



**2019 up Silverado Upper StrongArms
Installation Instructions**

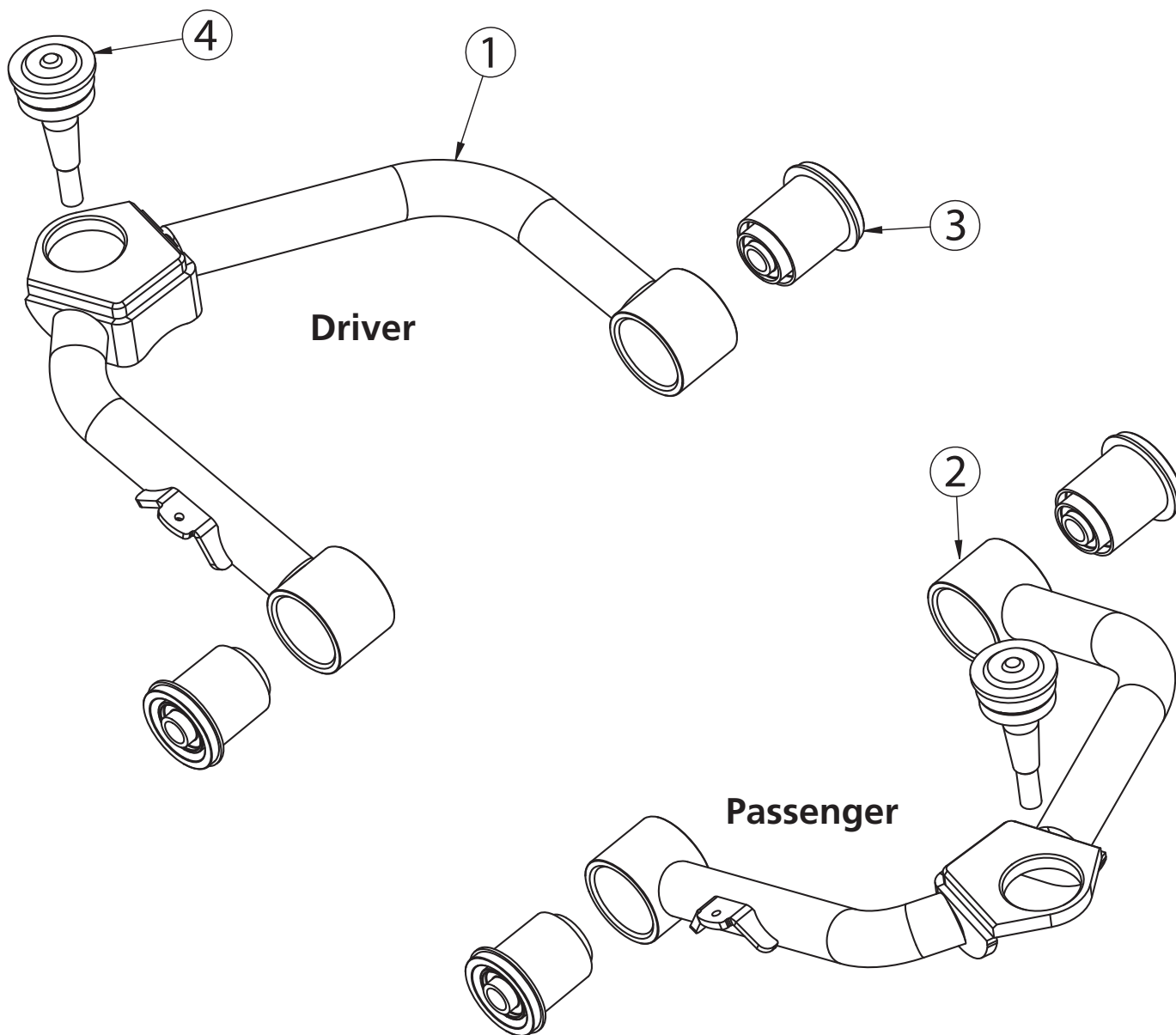
Table of contents

- Page 2..... Upper Control Arm Components & Hardware Kit
- Page 3..... Getting Started
- Page 4..... Upper Control Arm Installation
- Page 5..... Upper Control Arm Installation & Alignment



Upper Control Arm ComponentsIn the box

Item #	Part Number	Description	QTY
1	90003459	Driver Upper Control Arm	1
2	90003460	Passenger Upper Control Arm	1
3	90003269	Upper Control Arm Bushing - Tenneco MB05B714620	4
4	70016040	Upper Ball Joints - Proforged 101-10502/Moog K500340	2





Getting Started.....

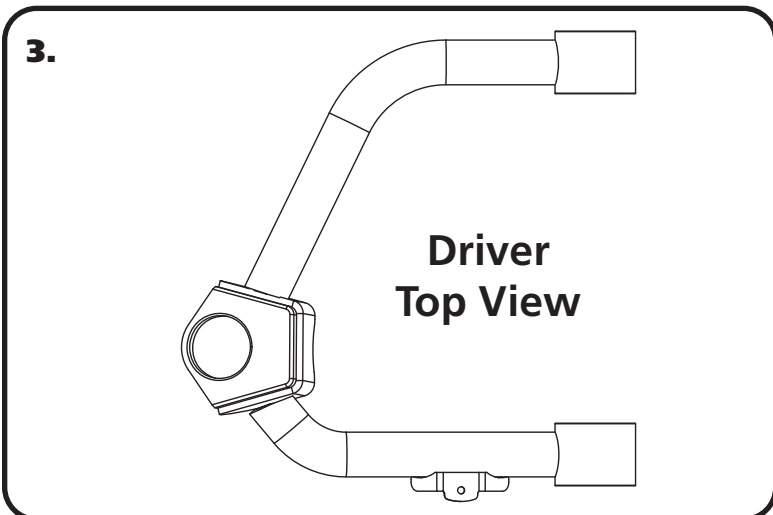
Congratulations on your purchase of the Ridetech 2019 up Silverado StrongArms. These StrongArms have been designed to give your Silverado excellent handling along with a lifetime of enjoyment. Some of the key features of the StrongArms: Ball Joint angles have been optimized for the lowered ride height, Control arm length has been optimized for the lowered ride height.

Installation

1. Remove the entire upper control arms from the truck. Retain the OEM hardware for installation of the new control arms. If you are replacing the shock/spring assembly, install them in conjunction with the upper control arms. Refer to the CoilOver instructions for installation.



2. Remove the brake line tab from the upper arm. Retain the hardware for reinstallation.



3. The upper control arm is attached to the factory mount using the factory hardware. The driver side arm is shown in **Figure "3"**. The ball joint on the arm is oriented to the rear of the truck. The brake line tab on the control arm will be to the REAR of the control arm.



Upper Control Arm Installation



4. The upper control arm is attached in the factory mount using factory hardware. The driver side arm is shown in **Figure "3, 4 & 5"**. Line up the through holes of the bushings with the OEM holes.



5. Reinstall the OEM bolts. Snug the hardware down for now. The upper control arm bolts need to be torqued to spec with the truck at ride height.



6. Insert the pin of the upper ball joint into the spindle.



Upper Control Arm Installation



7. Install the ball joint nut on the ball joint pin.

Torque Specs:

Lower Ball joint - 50 ftlbs and tighten to line up cotter pin.

Install the cotter pin after tightening the ball joint nut.



8. The locating tab of the bracket line bracket will need to be flattened out. We used an adjustable wrench to bend it flat.



9. Attach the brake line bracket to the tab of the upper control arm using the OEM hardware. Torque to 92 in-lbs.

10 After putting the truck back on the ground, torque the upper control arm mounting bolts to 140 ft-lbs. Grease the ball joints.

11. Any time you change suspension components, the front end alignment will need to be checked.

Suggested Alignment Specs:

Camber:	Street: -.5 degrees
Caster:	Street: +3.0 to + 5.0 degrees
Toe:	Street: 1/16" to 1/8" toe in