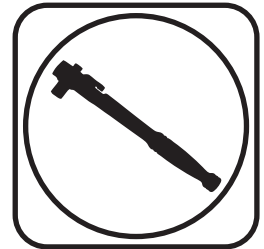
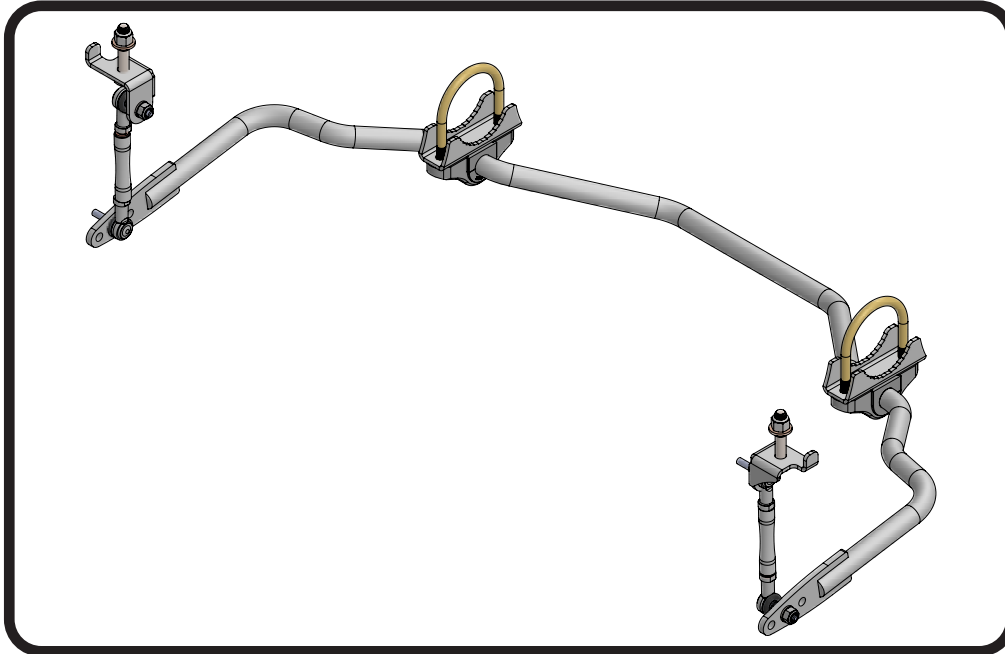




**Part # 11729122 - 2019 - 2023 Silverado 1500 Rear Sway Bar**

### Recommended Tools



## 2019-2023 Silverado Rear Sway Bar Installation Instructions

### Table of contents

|               |                                 |
|---------------|---------------------------------|
| Page 2.....   | Included Components             |
| Page 3.....   | Hardware List & Getting Started |
| Page 4-9..... | Sway Bar Installation           |
| Page 9.....   | Sway Bar Adjustment             |

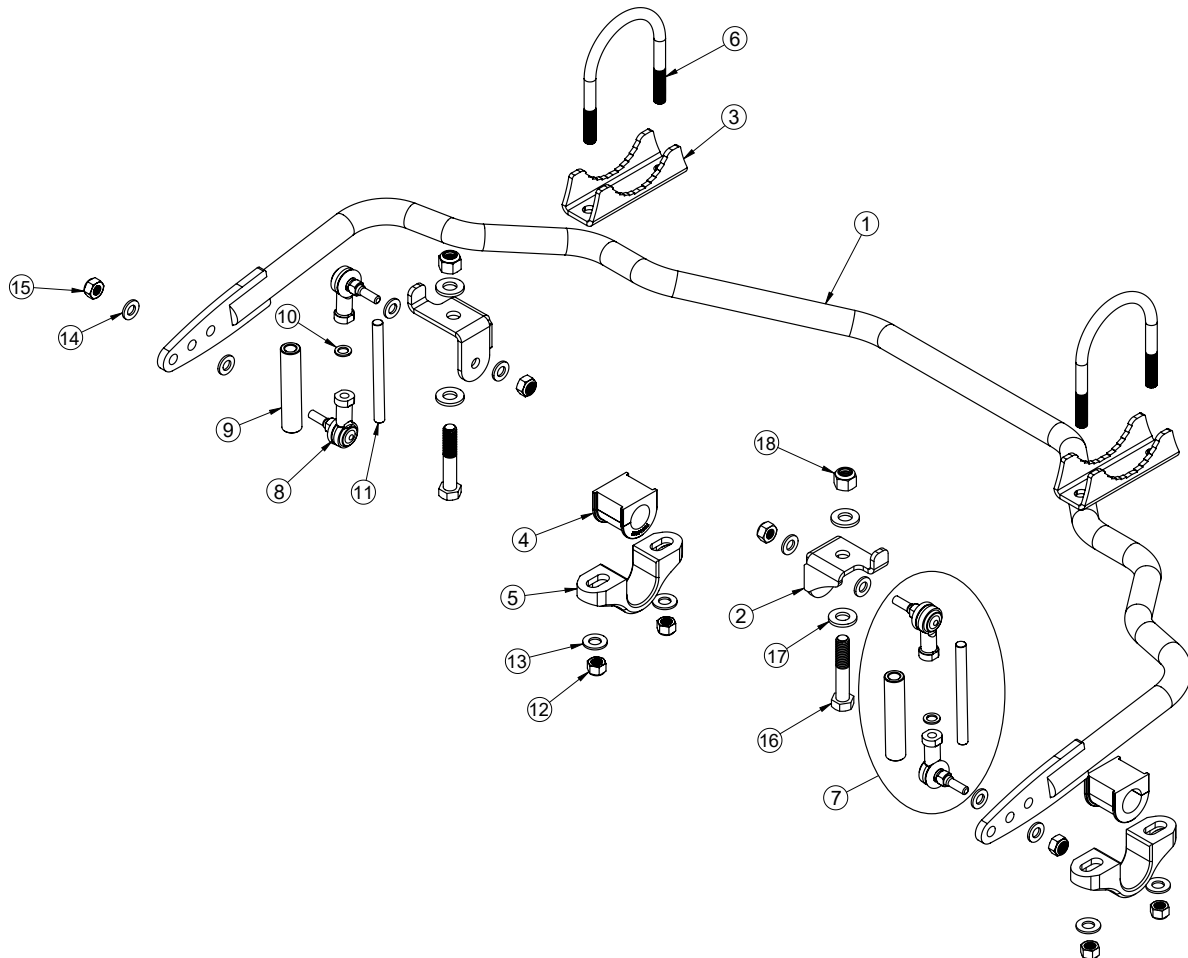
THIS SWAY BAR IS DESIGNED TO BE USED WITH THE REAR LOWERING KIT #11729511.





### Major Components .....In the box

| Item #   | Part #                   | Description                              | QTY |
|----------|--------------------------|--|-----|
| 1        | 90003505                 | Rear Sway Bar                            | 1   |
| 2        | 90003517                 | Rear Sway Bar Frame Mount                | 2   |
| 3        | 90003283                 | Sway Bar Axle Bracket                    | 2   |
| 4        | 70015012                 | Sway Bar Bushing                         | 2   |
| 5        | 90001345                 | Sway Bar Bushing Strap                   | 2   |
| 6        | 90000088                 | 7/16"-20 U-Bolt, 3.25" Wide x 4.50" Long | 2   |
| <b>7</b> | <b>PosiLink Assembly</b> |  |     |
| 8        | 90003842                 | 10mm 90 Degree End link                  | 4   |
| 9        | 90003506                 | PosiLink Spacer                          | 2   |
| 10       | 90002275                 | Copper Crush Washer                      | 4   |
| 11       | 99115012                 | M10-1.5 x 130mm Threaded Stud            | 2   |





### Hardware Kit .....# 99010220

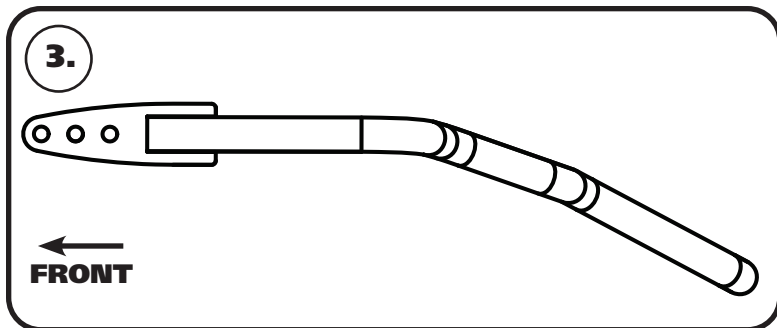
| Item #           | Part #   | Description           | QTY | Item #                           | Part #   | Description               | QTY |
|------------------|----------|-----------------------|-----|----------------------------------|----------|---------------------------|-----|
| <b>U-BOLT</b>    |          |                       |     | <b>END LINK BRACKET TO FRAME</b> |          |                           |     |
| 12               | 99432007 | 7/16"-20 Nylok Nut    | 4   | 16                               | 99501004 | 1/2"-13 X 2 3/4" Hex Bolt | 2   |
| 13               | 99433005 | 7/16" SAE Flat Washer | 4   | 17                               | 99503014 | 1/2" SAE Flat Washer      | 4   |
| <b>END LINKS</b> |          |                       |     | 18                               | 99502009 | 1/2"-13 Nylok Nut         | 2   |
| 14               | 99113002 | M10 Flat Washer       | 8   |                                  |          |                           |     |
| 15               | 99112002 | M10-1.5 Nylok Nut     | 4   |                                  |          |                           |     |

## Getting Started.....

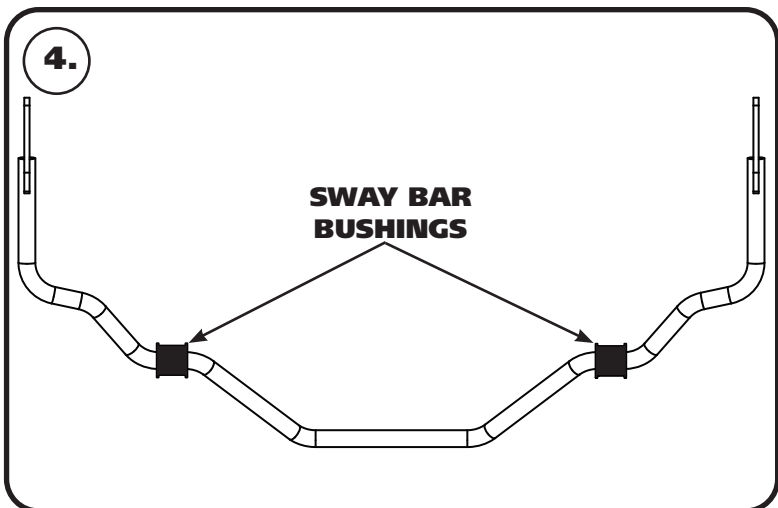
**Note:** This sway bar kit utilizes an anti-friction lining in the sway bar bushing. The lining allows the sway bar to move freely and quietly in the bushing. No lubrication is required.

### THIS SWAYBAR ATTACHES TO THE AXLE AND FRAME.

1. Jack the vehicle up to a safe working height and support with jack stands. Make sure the jack stands are stable before working under the truck.
2. The rear flip kit needs to be installed before the rear sway bar.



3. **Diagram 3** shows how the sway bar will be positioned on the rear differential.



4. Open the sway bar bushing at the split and slip it **OVER** the sway bar at the locations shown in **Image 4**. Do this for both bushings.



### Sway Bar Installation



5. Install the bushing straps over the sway bar bushings.



6. **Image 6** shows the passenger side frame bracket installed. The frame/crossmember will need to be drilled with a 1/2" drill bit. The frame bracket is centered below the crossmember with the locating tab against the outside of the frame rail.



7. **Image 7** shows the drilled hole to help give you an idea of the position. Hold the bracket on the bottom of the frame rail and mark the hole to be drilled. Again, the bracket needs to be centered below the crossmember with the locating tab against the outside of the frame rail.



### Sway Bar Installation



8. Drill the bottom of the frame with a 1/2" drill bit.



9. The 1/2" hole needs to be drilled through the bottom of the crossmember too.



10. Install a 1/2" flat washer on a 1/2" - 13 x 2 3/4" bolt. Hold the frame bracket in place with the tab on the outside of the frame. Insert the bolt/washer in the aligned holes.



### Sway Bar Installation



**11.** Install a 1/2" flat washer & 1/2"-13 nylok nut on the threads of the bolt sticking into the crossmember. Torque to 75 ft-lbs. Repeat the previous steps for the frame bracket on the other side.



**12.** Install a 7/16" u-bolt on each axle tube



**13.** Slip the axle mount onto the u-bolts. The "teeth" of the axle bracket will sit against the axle tube.



### Sway Bar Installation



**14.** Hold the sway bar in position on the truck with the center bend toward the ground. Slide the sway bar bushing strap onto the u-bolt.



**15.** Install a 7/16" flat washer & 7/16"-20 nylok nut on the threads of the u-bolts. Center the sway bar on the axle. Snug the hardware down and verify the axle mounts are parallel with the leaf springs. Torque the u-bolt hardware to 35 ft-lbs.



**16.** Install a M10 flat washer on the threads of the PosiLink. Insert the PosiLink in the mounting hole of the frame bracket with the threads of the end link pointing to the center of the truck.



### Sway Bar Installation



**17.** Install a M10 flat washer & M10-1.5 nylok nut on the threads of the PosiLink. Torque the nut to 37 ft-lbs. Repeat on the other side.



**18.** Install a M10 flat washer on the threads of the PosiLink. Insert the PosiLink in the **MIDDLE** mounting hole of the sway bar arm. The threads of the PosiLink should be pointing to the outside of the truck.



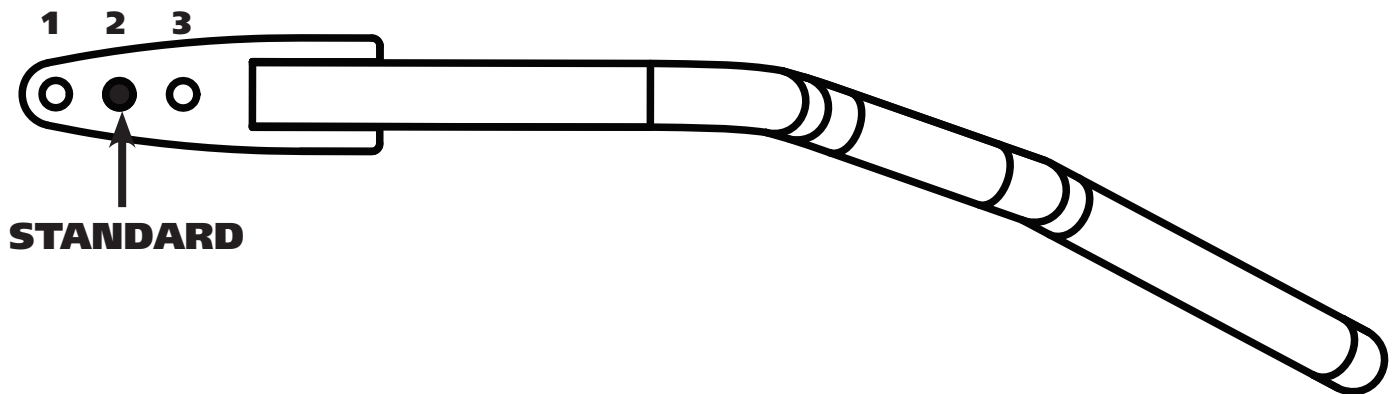
**19.** Install a M10 flat washer & M10-1.5 nylok nut on the threads of the PosiLink. Torque the nut to 37 ft-lbs. Repeat on the other side.

**20. DOUBLE CHECK THE HARDWARE TO MAKE SURE IT IS TIGHT.**





### Sway Bar Adjustment



This sway bar has 3 positions to aid in the tuning of your truck's handling. We start in the #2 MIDDLE position and tune from there. The # 3 position to the rear of the truck will make the sway bar stiffer. The #1 position to the front of the truck will make the sway bar softer. The position of the sway bar linkage will be determined by several factors; spring rate, front bar size, and even tire size. Keep in mind, the handling of the truck will be affected when you change the linkage location. Drive the truck to get accustomed to the new handling characteristics.

#### Rear Sway Bar Rates:

Hole 1: 150 lbs/in

Hole 2: 185 lbs/in

Hole 3: 200 lbs/in