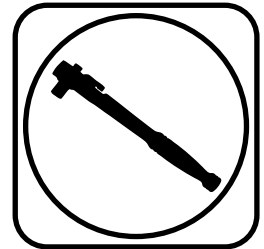




Part # 12099551 - 1964-1965 Mustang Crossmember Brace



Recommended Tools



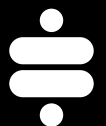
64-66 Mustang Crossmember Brace Installation Instructions

Table of contents

Page 2..... Included Components and Installation

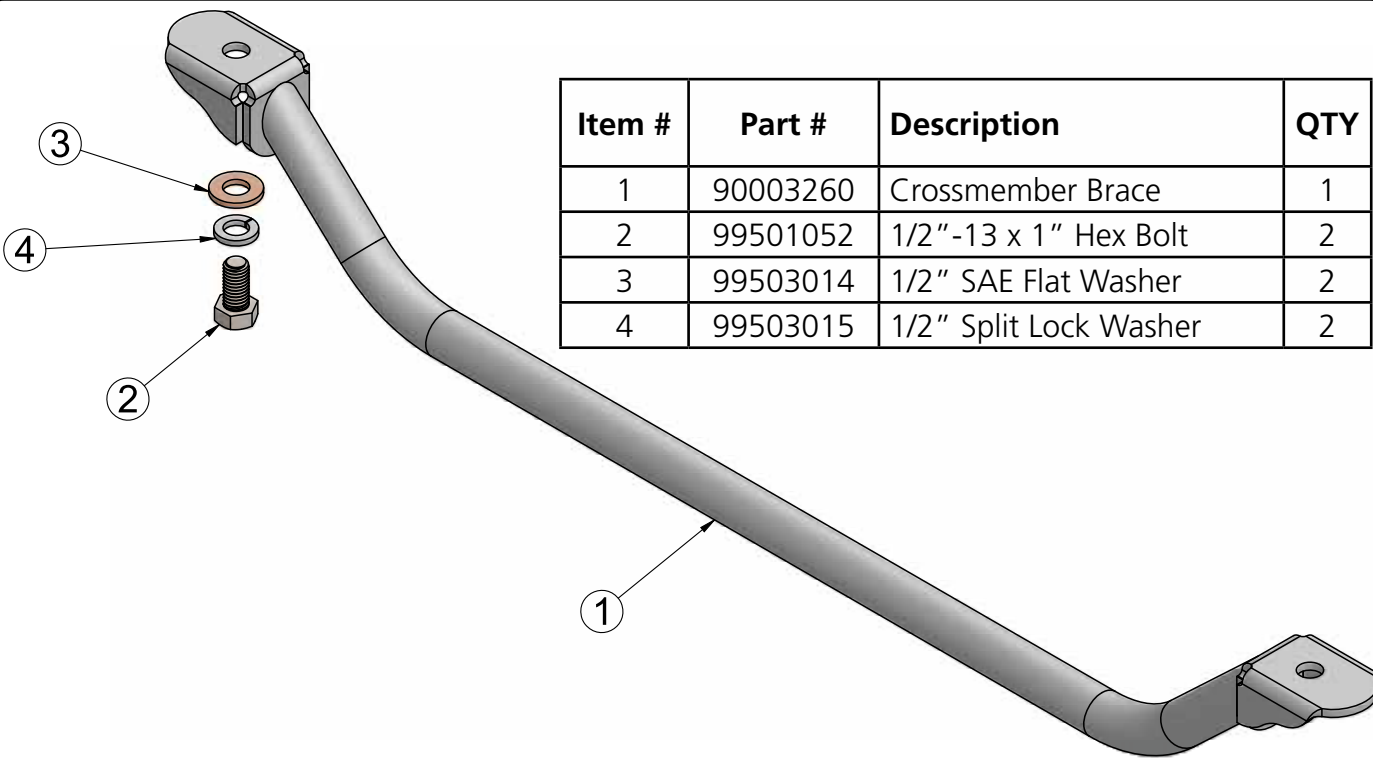


This crossmember brace is not compatible with Shelby steering components.
The longer pitman and idler arms may cause interference.






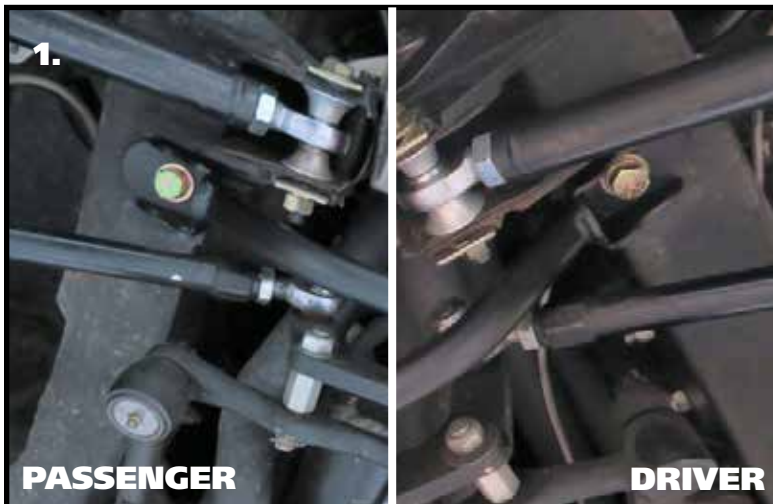
Major ComponentsIn the box



Item #	Part #	Description	QTY
1	90003260	Crossmember Brace	1
2	99501052	1/2"-13 x 1" Hex Bolt	2
3	99503014	1/2" SAE Flat Washer	2
4	99503015	1/2" Split Lock Washer	2



Brace Installation



1. The new suspension brace bolts in place of the original brace. Install a 1/2" split lock washer & 1/2" flat washer on each of (2) 1/2"-13 x 1" bolt. Position the crossmember brace at the factory location, behind the lower control arm mount. The bottom of the crossmember should angle to the front of the car. Align the mounting holes of the crossmember with the mounting holes in the frame rails. Install a bolt/washer in each of the mounting holes. Torque the crossmember hardware to 50 ftlbs.