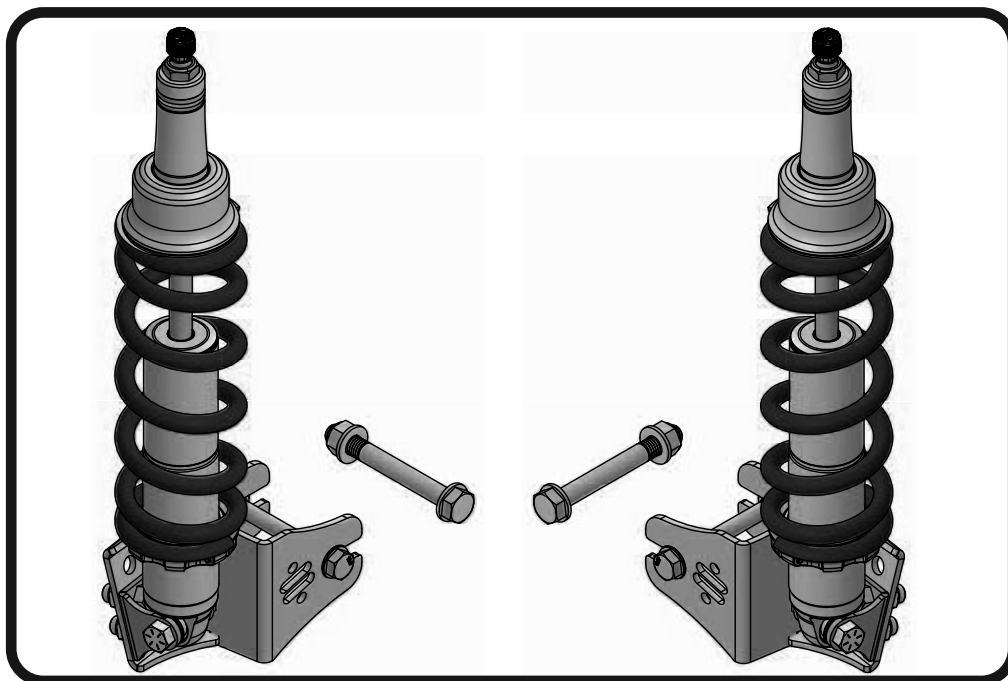
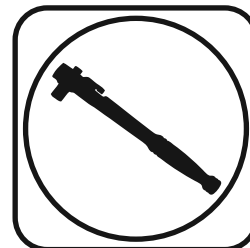




### Part # 12146110 - 1994-2004 Mustang HQ CoilOvers



#### Recommended Tools



## 1994-2004 Mustang HQ Series Rear CoilOvers

# Installation Instructions

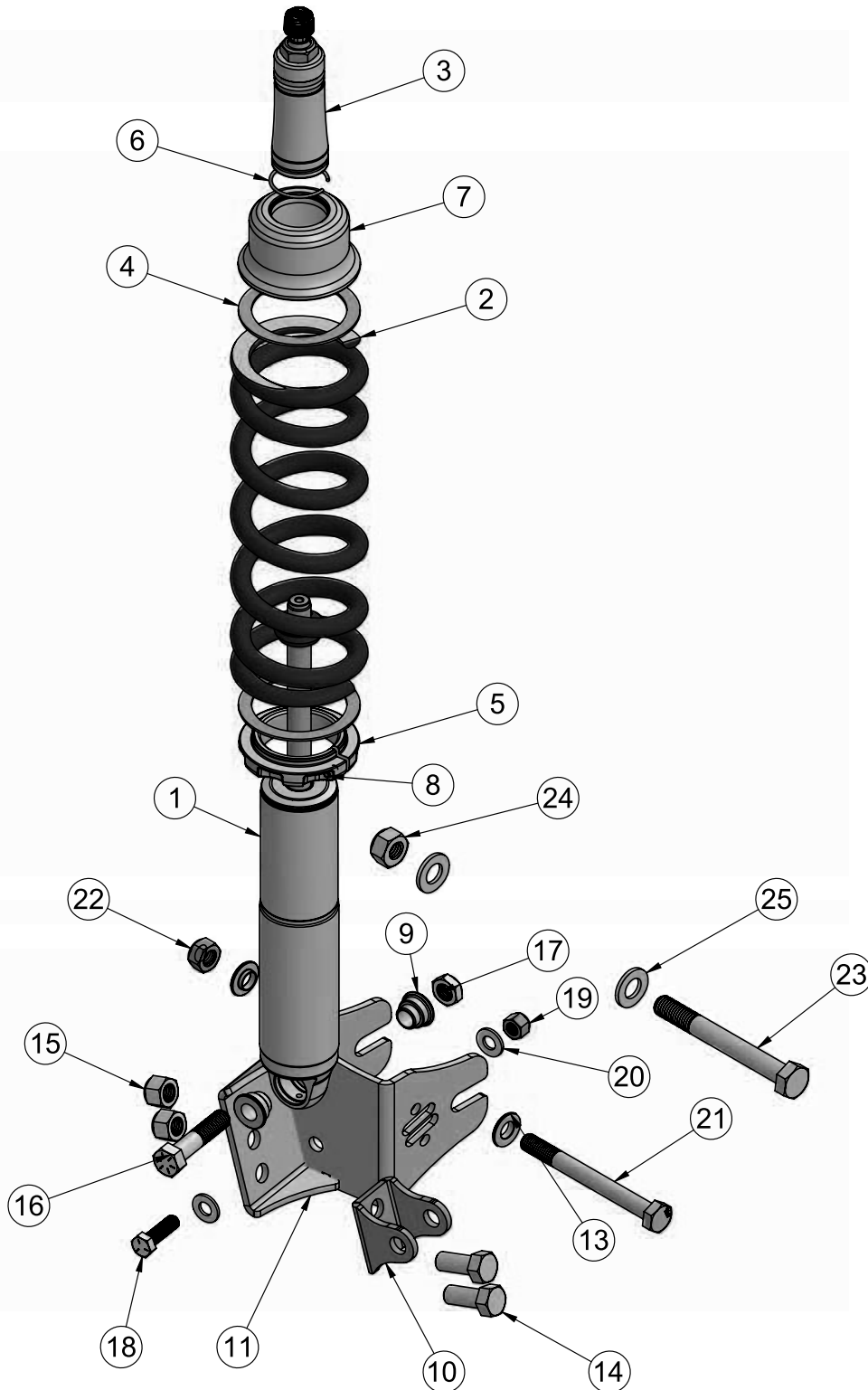
#### Table of contents

Page 2-3.....	Included Components
Page 4.....	Getting Started and Disassembly
Page 5.....	Body Prep and Lower Mount Installation
Page 6.....	CoilOver Assembly
Page 7.....	CoilOver Installation
Page 8.....	CoilSpring Adjustment
Page 9.....	Shock Adjustment





### Major Components .....In the box





### Major Components .....In the box

Item	Part #	Description	QTY
1	982-10-805	5.2" Stroke HQ Series Shock	2
2	59100125	CoilSpring	2
3	90002049 Kit	90009989 - 2.75" Stud Top	2
3	90002049 Kit	90002313 - 2.75" Stud Top Base	2
3	90002049 Kit	90001904 - Lower Delrin Half	2
3	90002049 Kit	90001903 - Upper Delrin Ball Half	2
3	90002049 Kit	90001902 - Upper Delrin Ball Cap	2
3	90002049 Kit	99562003 - 9/16-18" Nylok Nut	2
4	70010828	Delrin Washer	4
5	234-15-200	CoilSpring Mount Locking Ring	2
6	038-06-001-A	CoilSpring Mount Retaining Ring	2
7	90001373	CoilSpring Mount 1.5" Drop Cap	2
8	99050001	CoilSpring Mount Locking Ring Clamp Bolt	2
9	90002043	Shock Bearing Spacer - 1/2" ID	4
10	90002158	2 Hole Lower Shock Mount	2
11	90002467	Driver Lower Shock Mount-Axle Mount	1
11	90002468	Passenger Lower Shock Mount-Axle Mount (Not Shown)	1
13	90001372	14mm to 12mm T-Bushing	4
14	99501019	1/2"-13 x 1 1/4" Hex Bolt (2 Hole Mount to Axle Mount)	4
15	99502001	1/2"-13 Nylok Nut (2 Hole Mount to Axle Mount)	6
16	99501010	1/2"-20 x 2 1/4" Hex Bolt (Lower Shock to Mount)	2
17	99502003	1/2"-20 <b>THIN</b> Nylok Nut (Lower Shock to Mount)	2
18	99371004	3/8"-16 x 1 1/4" Hex Bolt (Lower Mount to Axle)	2
19	99372002	3/8"-16 Nylok Nut (Lower Mount to Axle)	2
20	99373003	3/8" SAE Flat Washer (Lower Mount to Axle)	4
21	99121013	M12-1.75 x 120mm Hex Bolt (Axle Mount to Axle)	2
22	99122001	M12-1.75 Nylok Nut (Axle Mount to Axle)	2
23	99141005	M14-2.0 x 120mm Hex Bolt (Axle Mount to Axle)	2
24	99142002	M14-2.0 Nylok Nut (Axle Mount to Axle)	2
25	99143001	M14 Flat Washer (Axle Mount to Axle)	4
	90001995	Bearing Snap Ring (Installed in Shock Body)	4
	90001994	5/8" ID Bearing (Installed in Shock Body)	2



### Getting Started and Disassembly

Congratulations on your purchase of the Ridetech Mustang CoilOver System. This system has been designed to give your Mustang excellent handling along with a lifetime of enjoyment. The CoilOver System provides flexibility that can not be achieved with Conventional CoilSprings.

#### **This CoilOver System is Designed to replace the factory Shock and CoilSprings.**

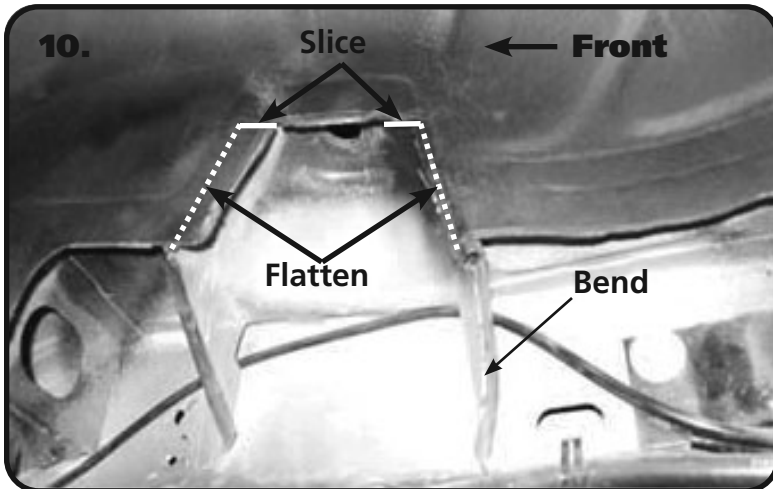
1. The rear OEM Shocks, Pinion Snubber and Mount, CoilSpring, and Horizontal Kicker Shock will need to be removed from the Rear of the car.
2. Raise the vehicle and support it by the frame allowing the suspension to hang freely. Be sure the rear differential will be able to swing down to get the rear springs out.
3. Place a jack under the center of the rear differential and raise it up to the point the jack is touching the rear differential. Be sure that the car is high enough that you will be able to lower the jack supporting the rear differential to remove the Coilsprings.
4. The Nut will need to be removed from the top of the shock. The top of the shock is either locked in the trunk behind the side covers, or in the hatch under a plastic cover located by the wheel tub.
5. Unbolt the lower shock from the shock mounting bracket and unbolt the shock bracket from the differential.
6. Lower the jack slowly to remove the tension of the Coilspring. Pay attention to the brake line and ABS(if equipped) wire that you don't damage them when lowering the differential
7. With the springs loose, remove the from the car.
8. Remove the OEM Pinion Snubber and mount from the rear body.

To get Started refer to the page 5.

**NOTE: THE LOWER CONTROL ARM BOLT SIZE CAN VARY DEPENDING ON THE YEAR OF CAR YOU ARE INSTALLING THE COILOVERS ON. WE HAVE INCLUDED 12MM & 14MM FOR THIS REASON. YOU WILL NEED TO DETERMINE THE CORRECT SIZE HARDWARE FOR YOUR INSTALLATION.**

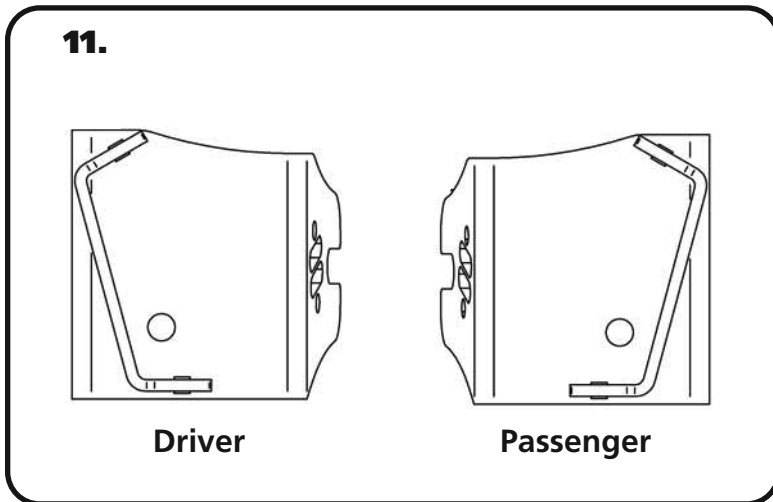


### Body Prep and Lower Mount Installation



**10.** Illustration 10 shows the modifications that need to be done to the Shock opening for CoilOver clearance. The rear has been done in the picture to show what the end result should look like. Slice the sheet metal at the top of the opening forward and backward even with the top of the opening. With the sheet metal sliced, bend the pinch weld inward until it is flat against the front and back of the opening. Bend the rear brace back to clear the Air Spring on the Shockwave.

**Repeat on both sides of the car.**



**11.** If you haven't done so already, remove the OEM Lower Shock Mount from the axle. If you are installing StrongArms, now is a great time to do the Lower. The size of your control arm bolts will determine the proper steps for mounting the lower shock mount. If your car has a 14mm lower control arm bolt, remove it and replace it with the M14-2.0 x 120mm bolt supplied in the kit. You will need to install a M14 flat washer on the bolt before installing it. Install the 14mm bolt/washer and install a M14 flat washer & M14-2.0 nylok nut on the bolt. Leave the bolt loose for now. If your car has a 12mm bolt, install one of the T-Bushings on the M12-1.75 x 120mm bolt with the large OD against the bolt head. Insert the 12mm bolt/t-bushing. Install a 2nd T-Bushing, with the Large OD to the nut, on the threads sticking through the axle mount, followed by a M12-1.75 nylok nut. Leave the nut loose for now.



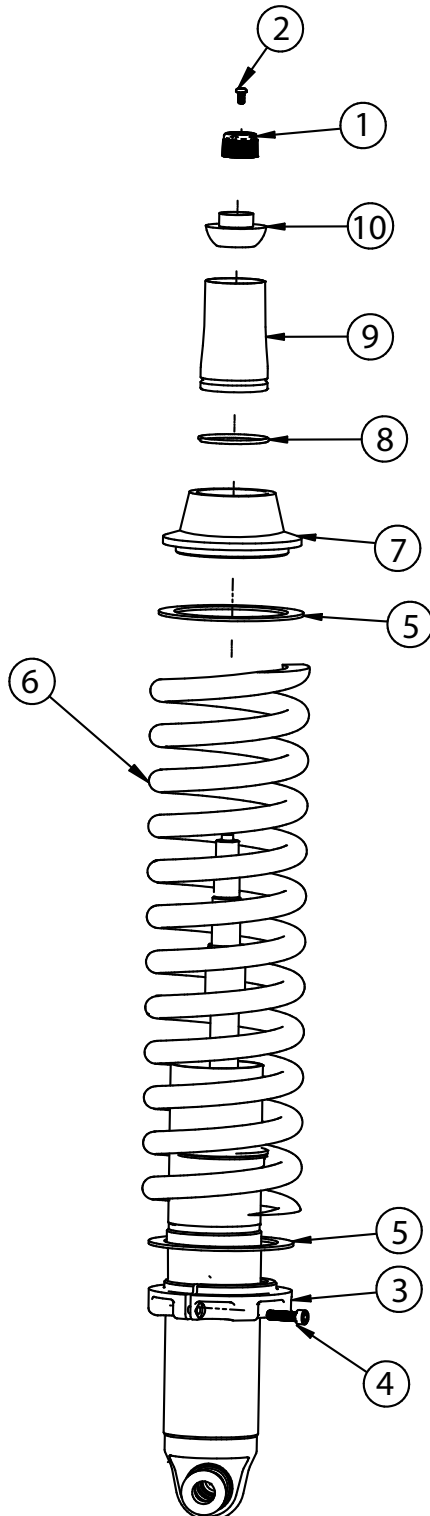
**Illustration 11** shows the New Lower Shock Mount viewed from the rear.

**12.** Slide the Lower Shock mount on to the Axle Mount. The Shock Mount wraps around the OEM Control Arm mount. The Slots on the side of the Mount slide on the Lower Control Arm Mounting Bolt. Install (1) 3/8-16 x 1 1/4" bolt (Threads pointing forward) through the hole in the Shock Mount and Lower Control Arm Mount. Install a 3/8" Flat Washer and 3/8" Nylok Nut on the Bolt and tighten. Tighten the Lower Control Arm Bolt.



### CoilOver Assembly

13.



13. To Assemble the CoilOver you need to:

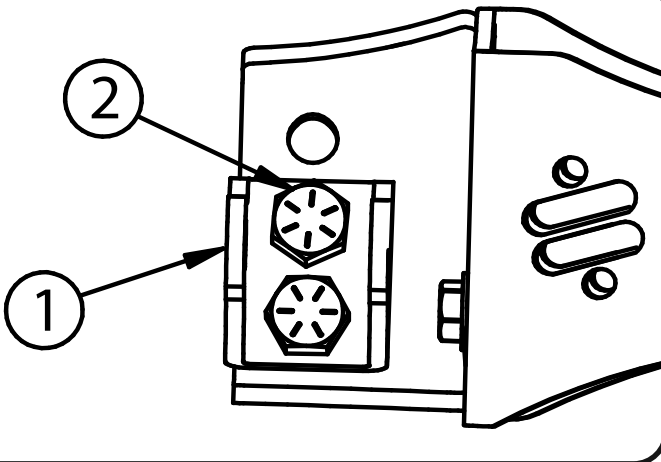
- a. Remove Screw (2) from center of Adjustment Knob (1) and remove Adjustment Knob.
- b. Remove Nylok Nut, Delrin Upper Cap, Delrin Upper and Lower Balls, along with the base from the CoilOver stud.
- c. Thread Adjuster Nut (3) onto the CoilOver body. Once it is threaded on the shock body, lightly thread in the locking screw (4) into the Adjuster Nut.
- d. Install a Delrin Spring Washer (5) onto the Adjuster Nut.
- e. Slide the CoilSpring (6) onto the CoilOver.
- f. Install another Delrin Spring Washer (5) on top of the CoilSpring.
- g. Install the Upper CoilSpring Plate (7) onto the CoilSpring.
- h. Install the CoilSpring Retaining Ring (8) onto the Stud Top Base (9). It fits into the groove in the base.
- i. Slide the Stud Top Base onto the shock until it bottoms out on the stud. It may be necessary to thread the Adjuster Nut down the shock body (to lower the spring) if the base will not slide all the way down onto the stud.
- j. Slide the Lower Delrin Ball (10) (it has the collar sticking up around the center hole) on to the Stud Top.

Repeat on second CoilOver.



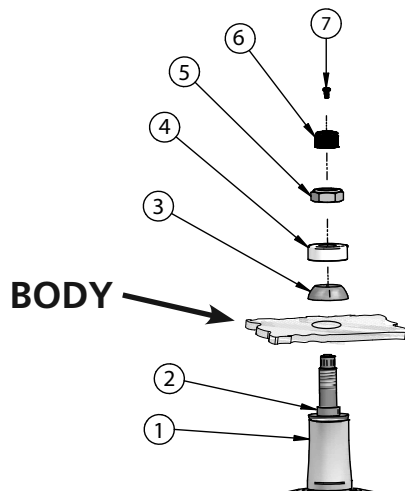
### CoilOver Installation

14.



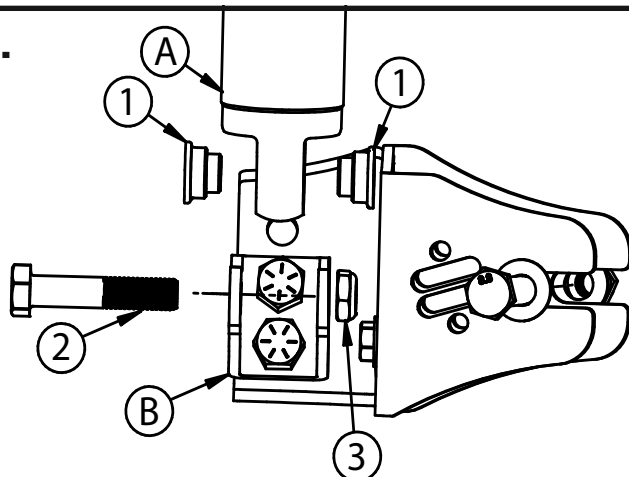
14. Attach the 2 Hole Lower Shock Mount(1) to the Main Mount using  $\frac{1}{2}$ " x  $1 \frac{1}{4}$ " bolts (2) with a Nylok nut on the back side. The Mount bolts to the 2 lower holes. If a higher ride height is desired, the top 2 holes can be used.

15.



15. With the CoilOver(1) assembled, it is time to bolt them into the car. Insert the CoilOver Stud Top through the factory hole in the frame. Install the Upper Delrin Ball(2) onto the shock stud with the flat side facing the frame. Next, Install the Delrin Ball cap (3) onto the shock stud with the Concave side facing the Upper Delrin ball. Install the Nylok Nut(4) onto the shock stud and lightly tighten. There needs to be some resistance on the ball but not tight enough that it will not rotate freely. Reinstall the adjuster knob(5) using the screw (6) that was removed during step 10.

16.



16. Install the CoilOver(A) in the Lower Shock Mount(B) using a 90002043 Spacer(2) inserted into each side of the Shock bearing. Slide the shock into the stock mounting location. It may be necessary to use the jack and raise the differential to align the mounting holes. With the mounting holes aligned, insert a  $\frac{1}{2}$ "-20 x  $2 \frac{1}{4}$ " Bolt through the Mount and Shock. Install a  $\frac{1}{2}$ "-20 **THIN** Nylok Nut (3) on the Bolt and Tighten.

**Repeat the steps for the other side of the car.**



### CoilSpring Adjusting

#### Ride Height

We have designed most cars to have a ride height of about 1 1/2" lower than factory. To achieve the best ride quality & handling, the shock absorber needs to be at 40-60% overall travel when the car is at ride height. This will ensure that the shock will not bottom out or top out over even the largest bumps. Measuring the shock can be difficult, especially on some front suspensions. Measuring overall wheel travel is just as effective and can be much easier. Most cars will have 4-6" of overall wheel travel. One easy way to determine where you are at in wheel travel is to take a measurement from the fender lip (center of the wheel) to the ground. Then lift the car by the frame until the wheel is just touching the ground, re-measure. This will indicate how far you are from full extension of the shock. A minimum of 1.5" of extension travel (at the wheel) is needed to ensure that the shock does not top out. If you are more than 3" from full extension of the shock then you are in danger of bottoming out the shock absorber.

#### Adjusting Spring Height

When assembling the CoilOver, screw the spring retainer tight up to the spring (0 preload). After entire weight of car is on the wheels, jounce the suspension and roll the car forward and backward to alleviate suspension bind.

- If the car is too high w/ 0 preload then a smaller rate spring is required. Although threading the spring retainer down would lower the car, this could allow the spring to fall out of its seat when lifting the car by the frame.
- If the car is too low w/ 0 preload, then preload can then be added by threading the spring retainer up to achieve ride height. On 2.6" - 4" stroke shocks, up to 1.5" of preload is acceptable. On 5-7" stroke shocks, up to 2.5" of preload is acceptable. If more preload is needed to achieve ride height a stiffer spring rate is required. Too much preload may lead to coil bind, causing ride quality to suffer.





### Shock Adjustment

#### Shock Adjustment 101- Single Adjustable

##### Rebound Adjustment:

How to adjust your new shocks.

The rebound adjustment knob is located on the top of the shock absorber protruding from the eyelet.

You must first begin at the ZERO rebound setting, then set the shock to a medium setting of 12.



-Begin with the shocks adjusted to the ZERO rebound position (full stiff). Do this by rotating the rebound adjuster knob clockwise until it stops.

-Now turn the rebound adjuster knob counter clock wise 12 clicks. This sets the shock at 12. (settings 21-24 are typically too soft for street use).

##### Take the vehicle for a test drive.



-if you are satisfied with the ride quality, do not do anything, you are set!

-if the ride quality is too soft increase the damping effect by rotating the rebound knob clock wise 3 clicks.

##### Take the vehicle for another test drive.



-if the vehicle is too soft increase the damping effect by rotating the rebound knob clock wise 3 additional clicks.

-If the vehicle is too stiff rotate the rebound adjustment knob counter clock wise 2 clicks and you are set!

Take the vehicle for another test drive and repeat the above steps until the ride quality is satisfactory.

##### Note:

**One end of the vehicle will likely reach the desired setting before the other end. If this happens stop adjusting the satisfied end and keep adjusting the unsatisfied end until the overall ride quality is satisfactory.**