



### Part # 12299502 - 2021-Up Ford F150 Payload Sensor Bracket Kit



#### Recommended Tools

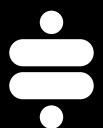


## 2021-Up Ford F150 Payload Sensor Bracket Kit Installation Instructions

### Table of contents

Page 2.....	Included Components & Getting Started
Page 3.....	Front Sensor Bracket
Page 3-5.....	Rear Sensor Relocation

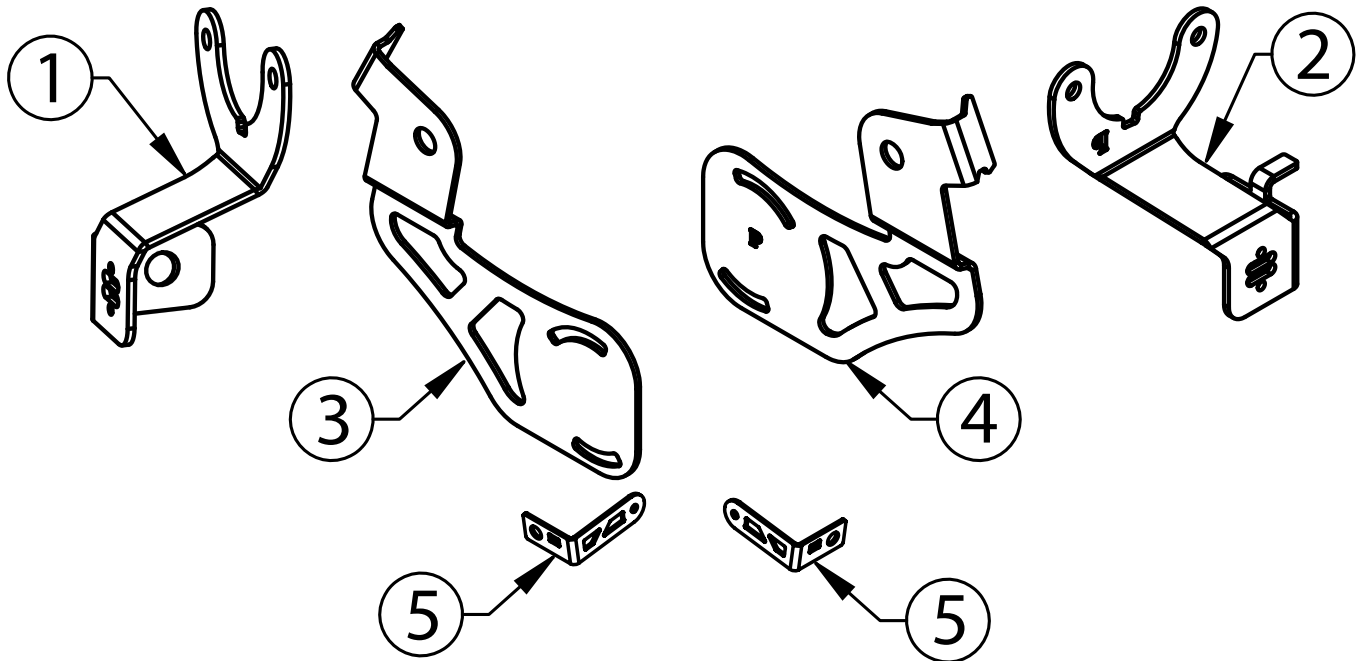
**INSTALL THE PAYLOAD SENSOR BRACKETS IN CONJUNCTION WITH THE LOWERING KIT.**





### Major Components .....In the box

Item #	Part #	Description	QTY
1	70015459	Front Sensor Bracket - Driver	1
2	70015791	Front Sensor Bracket - Passenger	1
3	70015487	Rear Sensor Frame Bracket - Driver	1
4	70015792	Rear Sensor Frame Bracket - Passenger	1
5	70015489	Rear Sensor Axle Bracket	2



### Getting Started.....

THESE PAYLOAD SENSOR BRACKETS ARE ONLY REQUIRED ON 2023 AND NEWER F150 WITH 4 SENSORS. NOT EVERY 2023 F150 WILL HAVE SENSORS ON THEM. F150'S WITH HEADLIGHT SENSORS ONLY, JUST HAVE SENSORS ON THE DRIVER SIDE OF THE TRUCK.

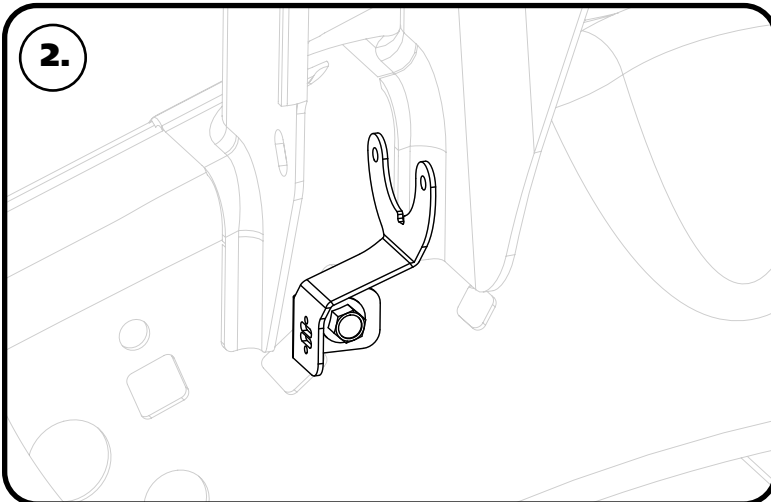
THE PASSENGER BRACKETS HAVE A "P" CUT INTO THE BRACKETS. WE WILL COVER THE INSTALLATION ON THE DRIVERS SIDE BRACKETS IN THESE INSTRUCTIOND. THE INSTALLATION OF THE PASSENGER BRACKETS IS THE SAME AS THE DRIVER.

INSTALL THE FRONT RELOCATION BRACKET IN CONJUNCTION WITH THE FRONT UPPER CONTROL ARMS.

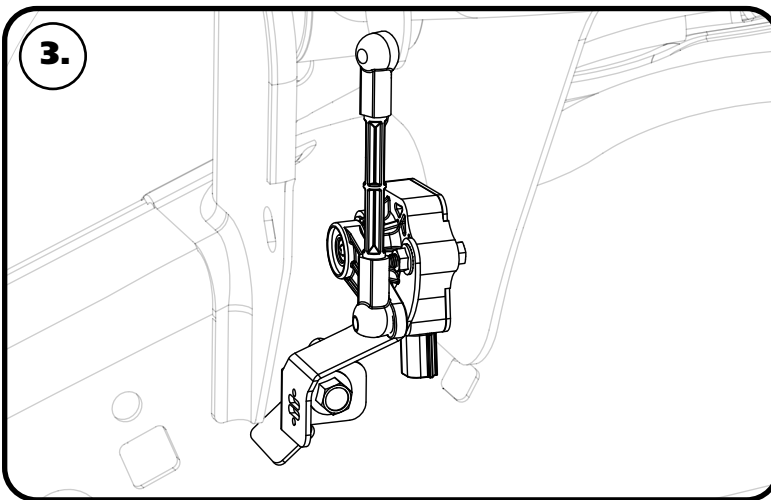
INSTALL THE REAR RELOCATION BRACKETS IN CONJUNCTION WITH THE REAR LOWERING KIT.



### Front Sensor Relocation Bracket



2. Unbolt the sensor from the front bracket, retaining the hardware. Remove the OEM sensor bracket from the frame and install the need bracket using the OEM hardware.



3. Reattach the headlight sensor to the new bracket using the OEM hardware.

### Rear Sensor Relocation



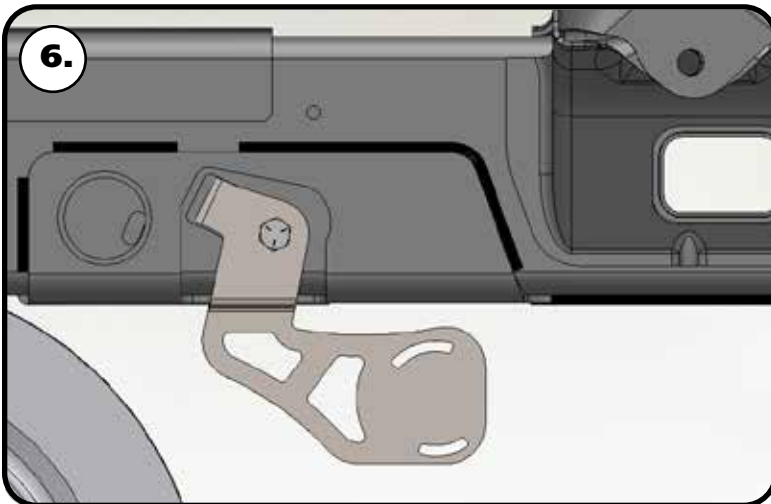
4. Disconnect the headlight sensor linkage from the Drivers side leaf spring mount. Remove the linkage bracket from the axle. There isn't a sensor on the Passenger side of the truck.



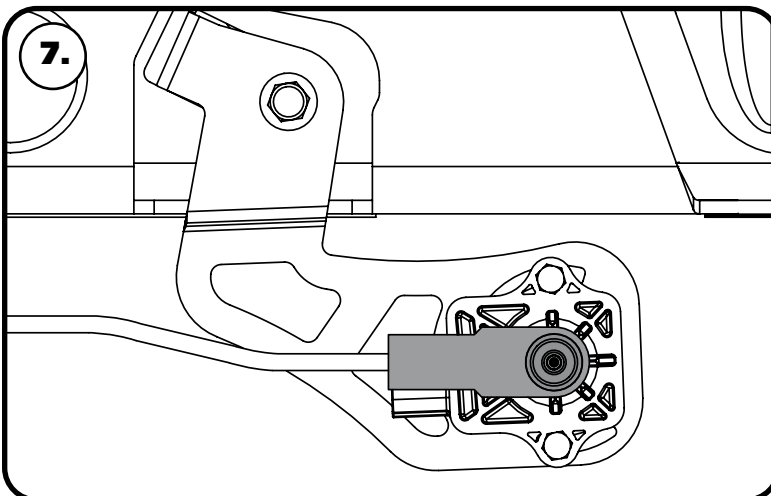
### Rear Head Light Sensor Relocation



**5.** Remove the headlight sensor from the frame bracket. Unbolt the frame bracket from the frame. Retain the hardware to reinstall the sensor.



**6.** Install the frame bracket in place of the OEM bracket using the OEM hardware.



**7.** Reinstall the headlight sensor on the new bracket using the OEM hardware. The new bracket is slotted to allow for adjustment to set the headlights to your new ride height.



### Rear Head Light Sensor Relocation



**8.** Remove the brake line bracket bolt from the rear of the drivers side leaf spring pad. Retain the hardware for assembly. If you are using the optional air springs, a longer bolt is supplied.



**9.** The lower relocation bracket will get positioned under the brake line mount. The tab of the brake line mount needs to be engaged in the bracket and leaf spring pad. Reinstall the OEM hardware if you're not running the helper air spring kit. If you are using the helper air spring kit, use the supplied M8-1.25 x 30mm bolt and M8 flat washer. Torque to 169 in-lbs.



**10.** Reattach the headlight sensor linkage to the new bracket.

**11.** The rear headlight sensor will need to be adjusted at for your new ride height.