

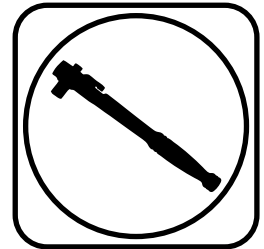


**12319502**

**Ford F100 GM LS/Small Block/Big Block Engine Mount Kit**



**Recommended Tools**



**F100 GM LS/SBC/BBC Engine Mount Kit  
Installation Instructions**

**Table of contents**  
Page 2..... Hardware Kit & Installation

THESE ENGINE MOUNT ARE DESIGNED TO FOR THE RIDETECH F100 SUSPENSION KIT.

**Engine Mount Components** .....In the box

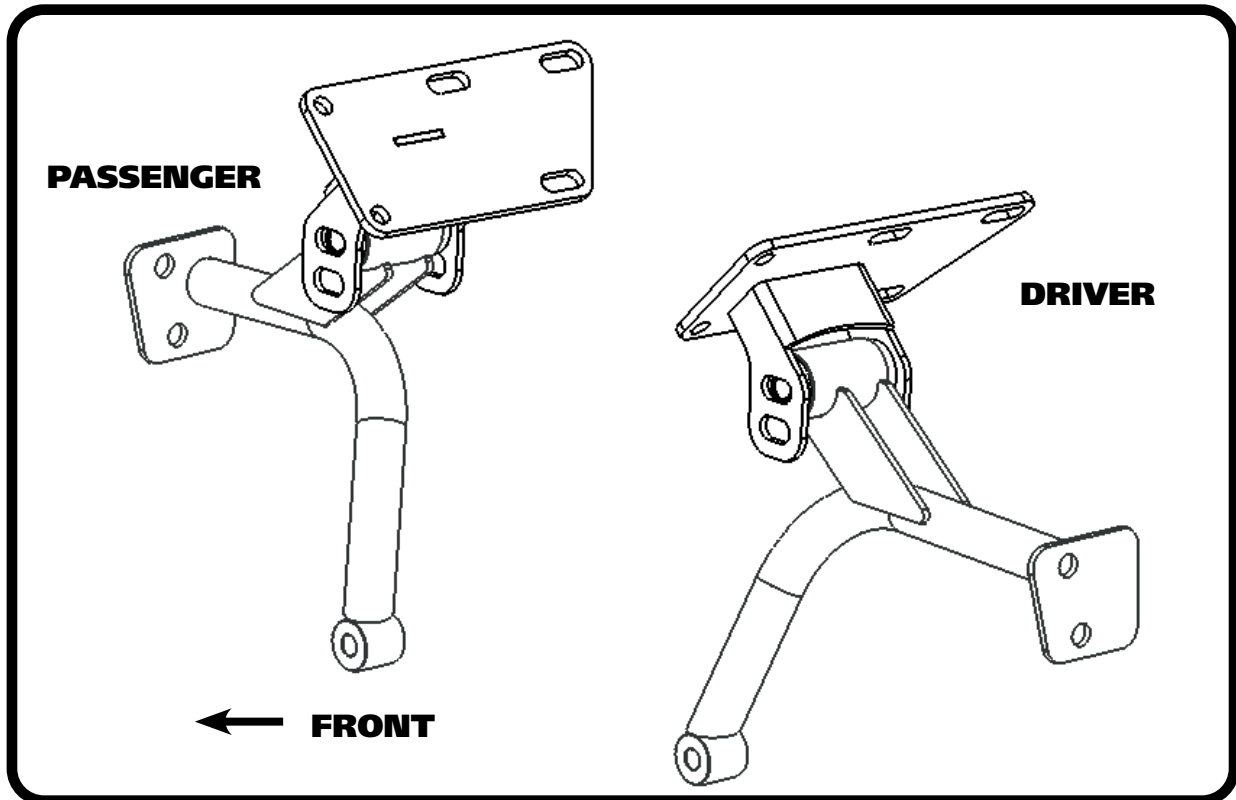
Part Number	Description	QTY
90003414	Driver Engine Mount - LS/SBC/BBC	1
90003415	Passenger Engine Mount - LS/SBC/BBC	1
99010207	Hardware Kit	1



### Hardware Kit #99010207 ....In the box

Part #	Description	QTY
MOUNT TO CRADLE		
99561012	9/16" -18 X 4 1/2" Hex Bolt	2
99562011	9/16" -18 Nylok Nut	2
99563003	9/16" SAE Flat Washer	4
SBC BLOCK TO MOUNT		
99371025	3/18" -16 x 1" Hex Bolt	6
99373002	3/8" SAE Flat Washer	6
99373006	3/8" SPLIT LOCK WASHER GR8	6
LS BLOCK TO MOUNT		
99111013	M10-1.5 x 25 mm Hex Bolt	6
99113002	M10 Flat Washer	6
99113001	M10 Split Lock Washer	6

## Installation



**1.** Attach the mounts to the block in the OEM location using the correct hardware for the engine you are installing. LS uses 10mm hardware. Small Block & Big Block use 3/8" hardware. Use the above **Diagram** as a reference for mount orientation. Torque to 35 ft-lbs

**2.** The mounts that attached to the cradle mounts have (2) positions. The top position is at OEM height. The bottom mounting holes can be used to raise the engine if you would happen to need more clearance. Attach the mounts to the cradle using the supplied 9/16" hardware. Torque to 90 ft-lbs.