

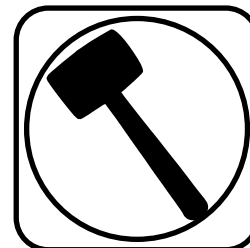
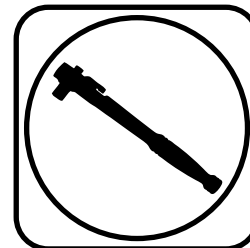


12319506

Ford F100 Godzilla Engine Mount Kit



Recommended Tools



Ford Godzilla Engine Mount Kit Installation Instructions

Table of contents
Page 2..... Hardware Kit & Installation

THESE ENGINE MOUNT ARE DESIGNED TO FOR THE RIDETECH F100 SUSPENSION KIT.

Engine Mount ComponentsIn the box

Part Number	Description	QTY
90003955	Driver Engine Mount - Ford Godzilla	1
90003956	Passenger Engine Mount - Ford Godzilla	1
99010309	Hardware Kit	1

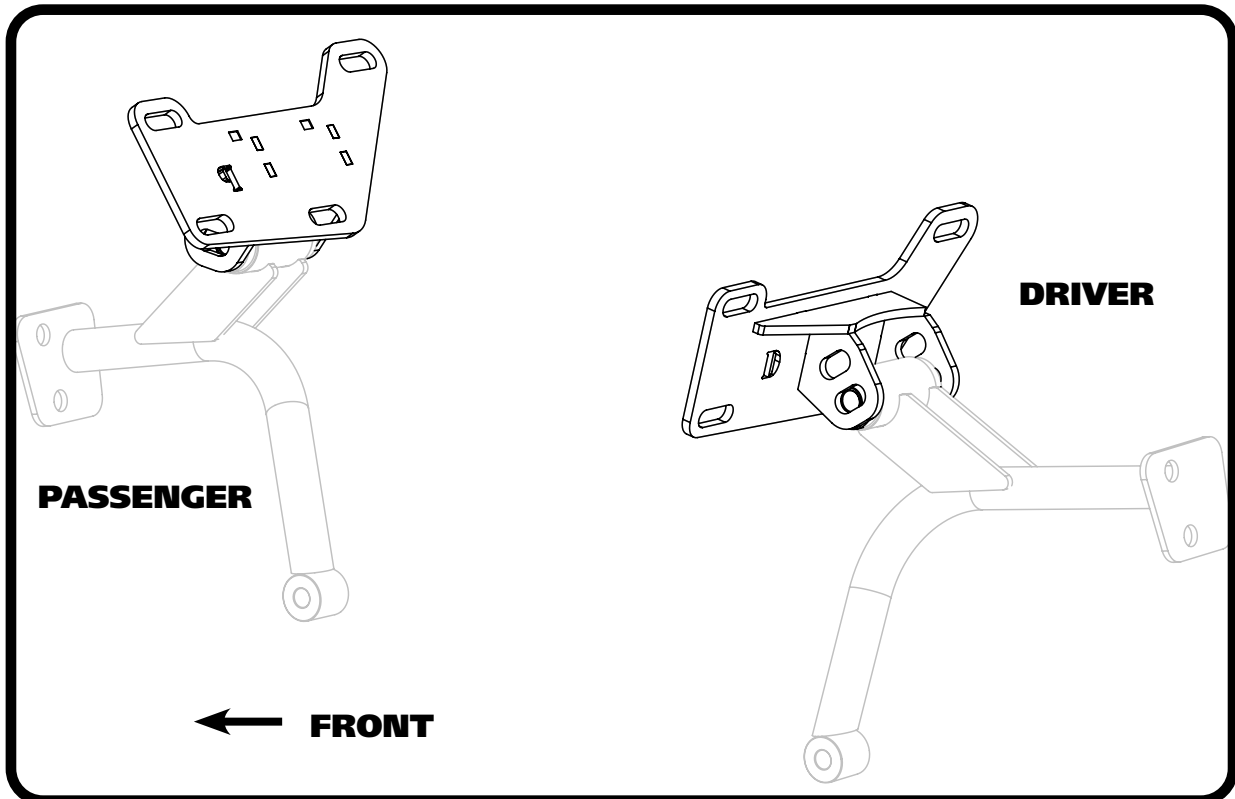
www.ridetech.com 



Hardware Kit #99010309In the box

Part #	Description	QTY
MOUNT TO CRADLE		
99561012	9/16"-18 X 4 1/2" Hex Bolt	2
99562011	9/16"-18 Nylok Nut	2
99563003	9/16" SAE Flat Washer	4
BLOCK TO MOUNT		
99111013	M10-1.5 x 25MM Hex Bolt GR10.9	8
99113002	M10 Flat Washer	8

Installation



1. Attach the mounts to the block in the OEM location using the M10 hardware supplied with the kit. Use the above Diagram as a reference. Torque to 45 ft-lbs
2. The mounts that attach to the cradle mounts have (2) positions. The top position is at OEM height. The bottom mounting holes can be used to raise the engine if you would happen to need more clearance. Attach the mounts to the cradle using the supplied 9/16" hardware. Torque to 90 ft-lbs.