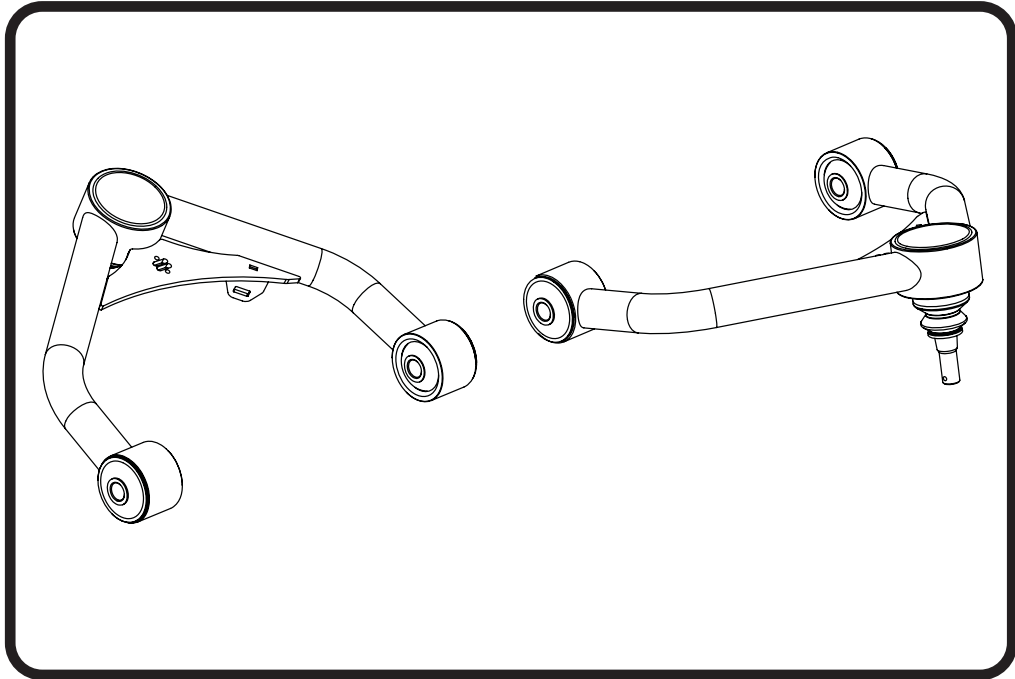




Part # 13133699 - 2019-2023 Ram 1500 Upper Control Arms



Recommended Tools



**2019-2023 Ram 1500 Front Upper Control Arms
Installation Instructions**

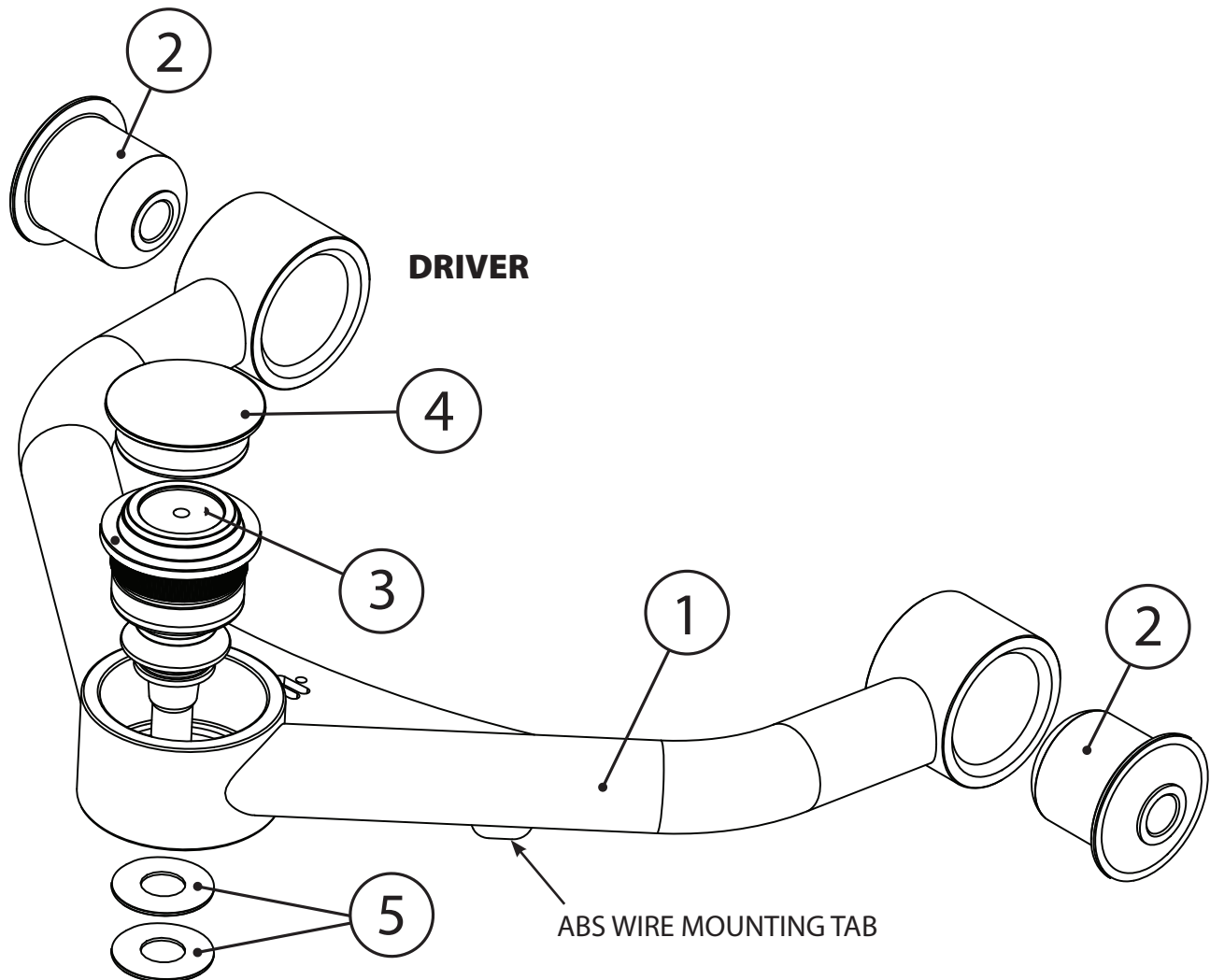
Table of contents
Page 2..... Included Components
Page 3..... Disassembly
Page 4-5..... Installing Upper Control Arm

IF INSTALLING COILOVERS, INSTALL THEM IN CONJUNCTION WITH THE UPPER CONTROL ARMS.



Major ComponentsIn the box

Item #	Part #	Description	QTY
1	90003551	Upper Control Arm - Driver (<i>shown</i>)	1
	90003552	Upper Control Arm - Passenger	1
2	70016702	Upper Control Arm Bushings	4
3	70016703	Upper Control Arm Ball Joint	2
4	70015619	Upper Ball Joint Dust Cap	2
5	99143001	M14 Flat Washer - Ball Joint to Spindle	4





Disassembly

1. Block the rear wheels of the truck to prevent it from rolling.
2. Raise the front of the truck and support it by the frame, allowing the suspension to hang freely.
3. Remove the wheels.
4. If installing with Ridetech Coilovers, install the coilovers at this time. Follow instructions included with the coilovers.
5. The upper control arms will need to be removed. Retain the hardware to install the new upper control arm.

Disassembly



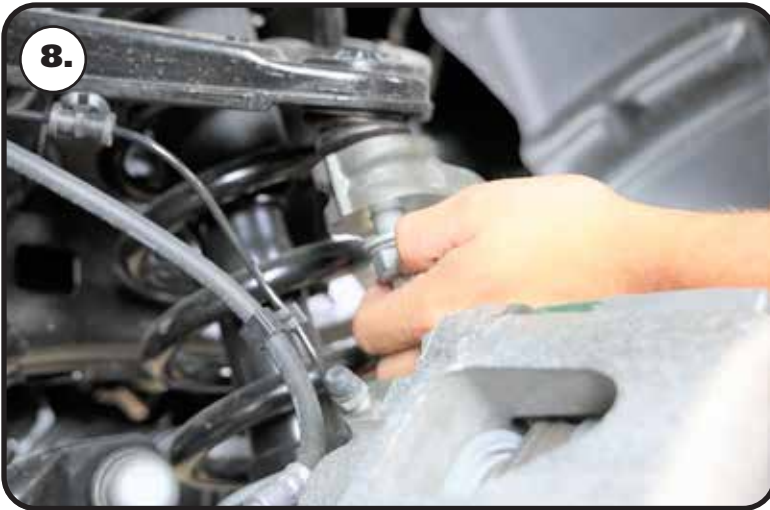
6. Disconnect the ABS wire and clip from the OEM control arm. The clip will be reused with the new control arms.



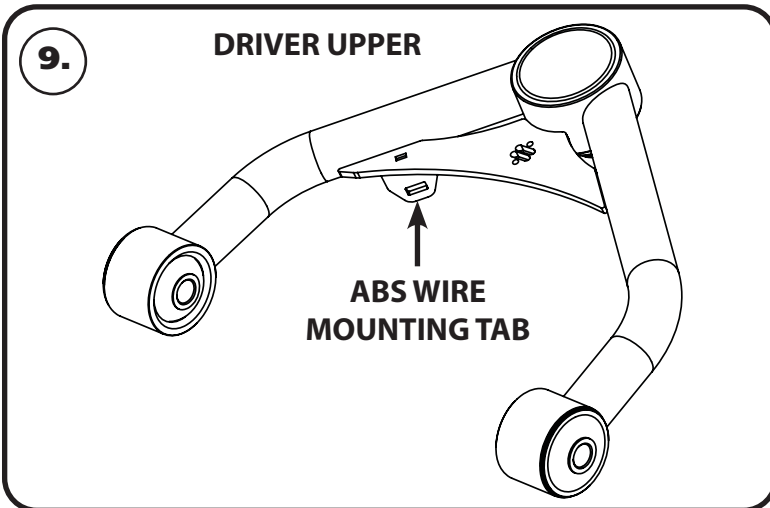
7. Install the Ridetech upper control arms using the OEM hardware. The control arms are mounted in the OEM mounts with the ABS wire tab to the rear of the truck. The control arm mounting bolts will need to be tightened after the truck is sitting on the ground.



Installing Upper Control Arm



8. Remove the OEM upper control arm. Retain the hardware to install the new upper control arm.



9. The upper control arms are side specific. The driver control arm is shown in **Image 9**. The ABS wire tab is to the rear of the truck.



10. Install the Ridetech upper control arms using the OEM hardware. The control arms are mounted in the OEM mounts with the ABS wire tab to the rear of the truck. The control arm mounting bolts will need to be tightened after the truck is sitting on the ground.



If Installing CoilOvers, install them before attaching the control arm to the steering knuckle.



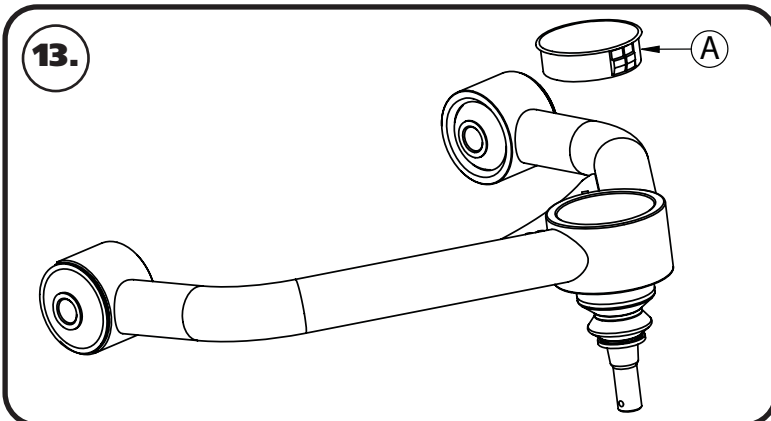
Installing Upper Control Arm



11. Insert the ball joint stud into the spindle. Install (2) M14 flat washers on the ball joint stud. Next, install the ball joint nut and torque to 50 ft-lbs. Tighten the nut until a slot in the nut aligns with the hole in the ball joint pin. NEVER LOOSEN THE NUT TO ALIGN THE HOLE!



12. Install the supplied cotter pin. Bend the tabs of the cotter pin.



13. Insert the grease zerks in the ball joints. Grease the ball joints and install the supplied caps(A). These caps will help keep debris out of the control arms.

14. Insert the OEM ABS clip into the tab of the control arm.

15. Reinstall wheels and torque lug nuts to factory specifications.

16. Lower the vehicle to the ground and torque upper control arm hardware to 130 ft-lbs.

17. Recheck hardware after 500 miles.

18. Remove the cap and grease the ball joint at regular service intervals.