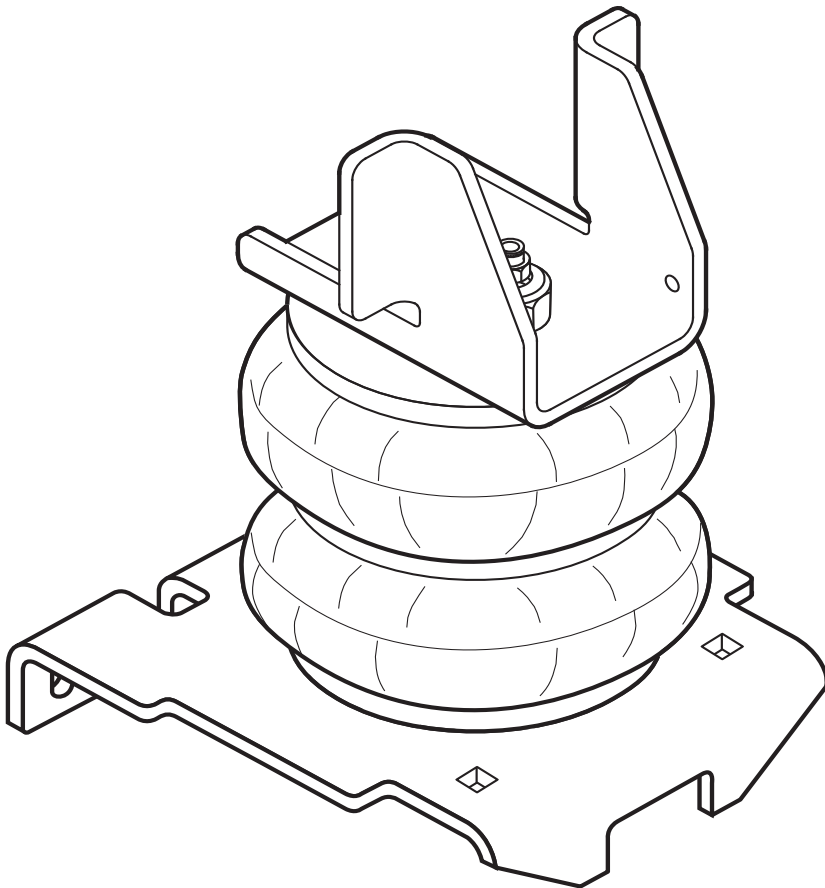




81213005 07-18 Chevy/GMC 1500, 19-20 LD & Limited

Congratulations - your new TowPro Helper Springs are quality products capable of improving the handling and comfort of your vehicle. As with all products, proper installation is the key to obtaining all of the benefits your kit is capable of delivering. Please take a few minutes to read through the instructions to identify the components and learn where and how they are used. It is a good idea to start by comparing the parts in your kit with the parts list below.



Components

Description	PART#	QTY.
AIR SPRING	6397	2
UPPER BRACKET	5528	2
LOWER BRACKET	5781	2
SPACER	5224	2
BRACKET STRAP	5360	2
HEAT SHIELD	1004	1
BAIL CLAMP	3373	2
18 ft. TUBING	0938	1
THERMAL SLEEVE	0899	2

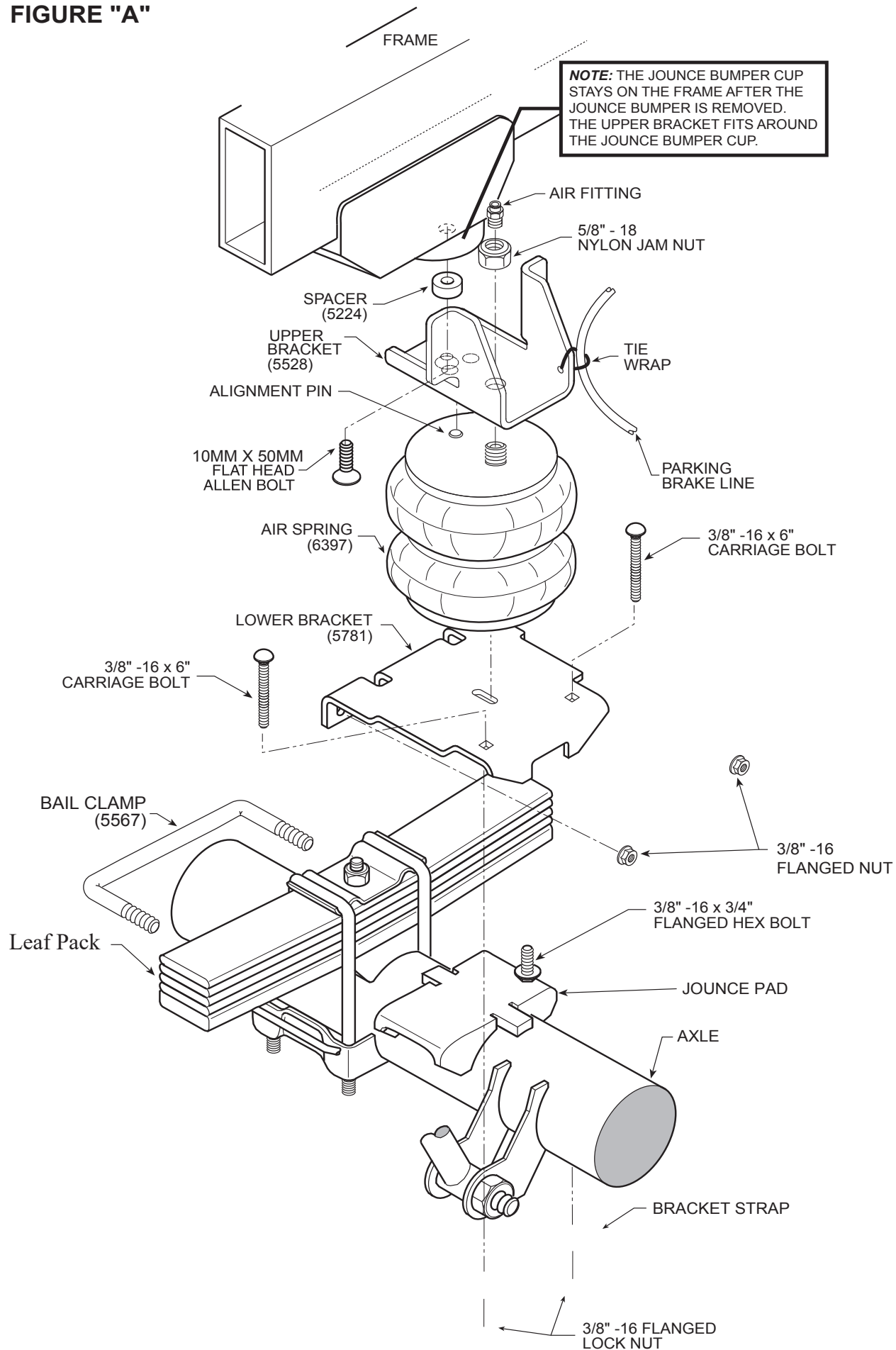
Hardware

Description	QTY.
5/16" FLAT WASHER	4
10mm X 50mm FLAT HEAD BOLT	2
3/8"-16 X 3/4" FLANGED HEX BOLT	2
3/8"-16 FLANGE LOCKNUT	8
3/8"-16 X 6" CARRIAGE BOLT	4
5/8" -18 JAM NUT	2

WARNING!

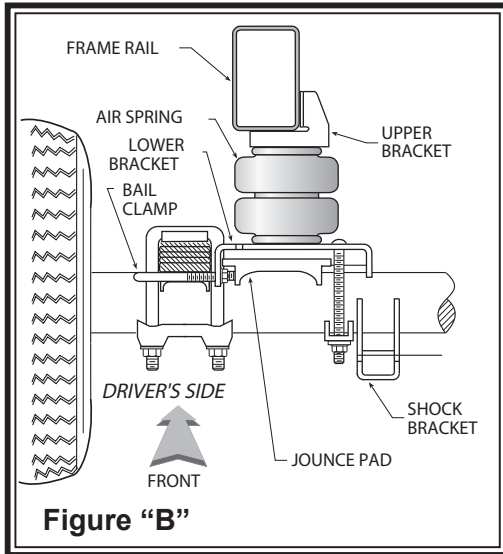
Do not inflate this assembly when it is unrestricted. The assembly must be restricted by the suspension or other adequate structure. Do not inflate beyond 100 P. S. I. Improper use or over inflation may cause property damage or severe personal injury.

FIGURE "A"



STEP 1 - PREPARE THE VEHICLE / UPPER BRACKET INSTALLATION

This installation assumes that there is no load in the bed of the truck. It is not necessary to remove the wheels for installation of this kit. Your vehicle is equipped with rubber jounce bumpers. The bumpers are attached to the frame directly above the axle. Remove these bumpers by unbolting from the frame. This bumper will not be reused with this kit. Attach the upper bracket to the frame where the jounce bumper was removed using the 10mm X 50mm flat head bolt, placing the spacer between the upper bracket and the frame, as shown in Figure "A".



STEP 2 - PRE-ASSEMBLE THE KIT

Pre-assembly will begin with the left (driver's) side of the vehicle. All pictures depict the installation on the left side of the vehicle unless noted otherwise. Attach the lower bracket to the air spring using a 3/4" flange hex bolt. Be sure that the lower bracket is attached to the air spring so that the bracket orientation is perpendicular to the leaf stack. See Figures "A" & "B".

STEP 3 - INSTALL THE ASSEMBLY TO THE VEHICLE

Place the air spring assembly on top of the jounce bumper pad on the axle housing, with the narrow end inserted in between the axle u-bolts. Insert the large stud on the air spring into the large hole in the upper bracket. See Figures "A" & "B". The alignment pin on the air spring will be inserted into one of the small holes in the upper bracket. Use whichever hole provides the best alignment. Secure the air spring to the upper bracket using the 5/8" jam nut. Install the air fitting into the large stud on the air spring and tighten **NOTE USE TEFLON TAPE OR PASTE BEFORE INSTALLING THE FITTING**. see Figure "A". **On the drivers side only, the parking brake line will need to be tie-wrapped to the upper bracket, see Figure "A"**

STEP 4 - ATTACHING ASSEMBLY TO THE AXLE

With the assembly attached to the frame rail, the next step is to attach the lower bracket to the jounce pad on the axle housing. Install the Bail Clamp under the leaf springs from the outside of the leaf pack, through the holes in the leg of the lower bracket. Secure (hand tight) using the 3/8"-16 flange nuts. Insert the 6" carriage bolts through the lower bracket and capture them on the bottom side of the axle with the bracket strap. Secure (hand tight) using the 3/8"-16 flange nuts. Begin to tighten the nuts on the bail clamp first, to draw the bracket toward the leaf pack, making sure the bracket fits around the u-bolts. Alternate to the bracket strap until the bracket is secured. See Figures "A" & "B".

Important: In order for the air spring to function properly, there must be a minimum of 1/2" of clearance around the air spring.

STEP 4 - INSTALL THE PASSENGER'S SIDE ASSEMBLY

Follow steps 2 - 5 for assembly and installation of the passenger's side assembly.

This now completes the installation. Reattach the negative battery cable and remove the wheel chocks from the front wheels. Before proceeding, check once again to be sure you have proper clearance around the air springs. With a load on your vehicle and the air helper springs inflated, you must have at least 1/2" clearance around the air springs. As a general rule, the air helper springs will support approximately 50 lbs. of load for each psi of inflation pressure (per pair). For example, 50 psi of inflation pressure will support a load of 2500 lbs. per pair of air helper springs. FOR BEST RIDE use only enough air pressure in the air helper springs to level the vehicle when viewed from the side (front to rear). This amount will vary depending on the load, location of load, condition of existing suspension and personal preference.

STILL HAVE QUESTIONS?

Tech line hours

Monday - Friday 8AM - 6PM (EST) 812-482-2932

